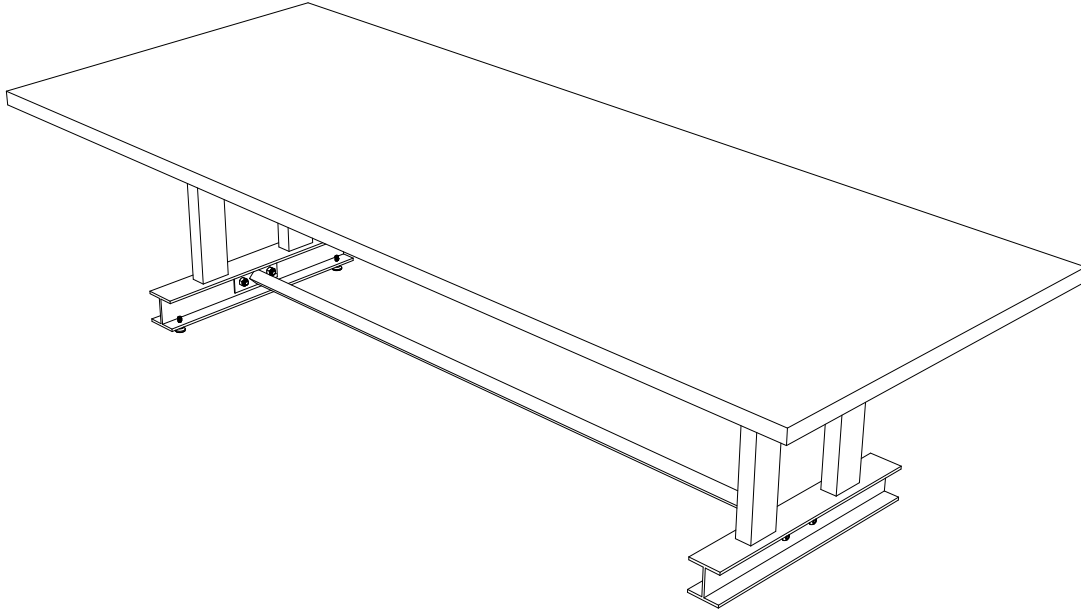


CONFERENCE TABLE

Assembly Instructions



Thank you for your purchase!

Iron Age Office furniture is uniquely and individually fabricated. For this reason, your furniture is pre-assembled and labeled before shipping. Labels are marked on the underside of the furniture. Most furniture is then deconstructed prior to shipping. Pieces that uniquely correspond can typically be found on the same pallet.

Assembly is best completed by keeping the pieces that correspond together. Clear your work area of anything that could scratch furniture surfaces. If possible, cover your work area with a clean, soft blanket. Carefully flip any wooden tops over and inspect the bottom sides for markings. Match legs, flat brackets, etc. to the appropriate labels.

If you need further assistance of any kind,
please contact:
888-442-8242
hello@cubicles.com

HARDWARE

Screws are shown actual size. You may receive extra hardware with your unit.

①

14-10 LAG BOLT
QTY: 20

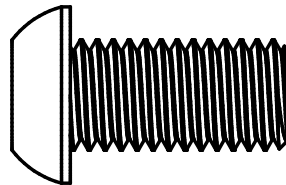
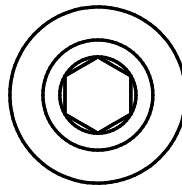


Tools Required

#3 Square Drive

②

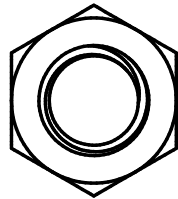
SCREEN BOLT
QTY: 4



3/8 Hex Drive

③

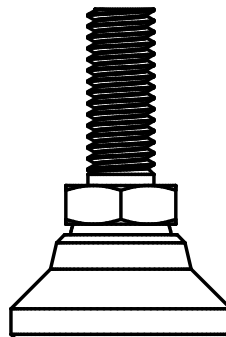
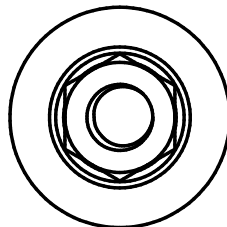
SCREEN NUT
QTY: 4



15/16 Crescent Wrench

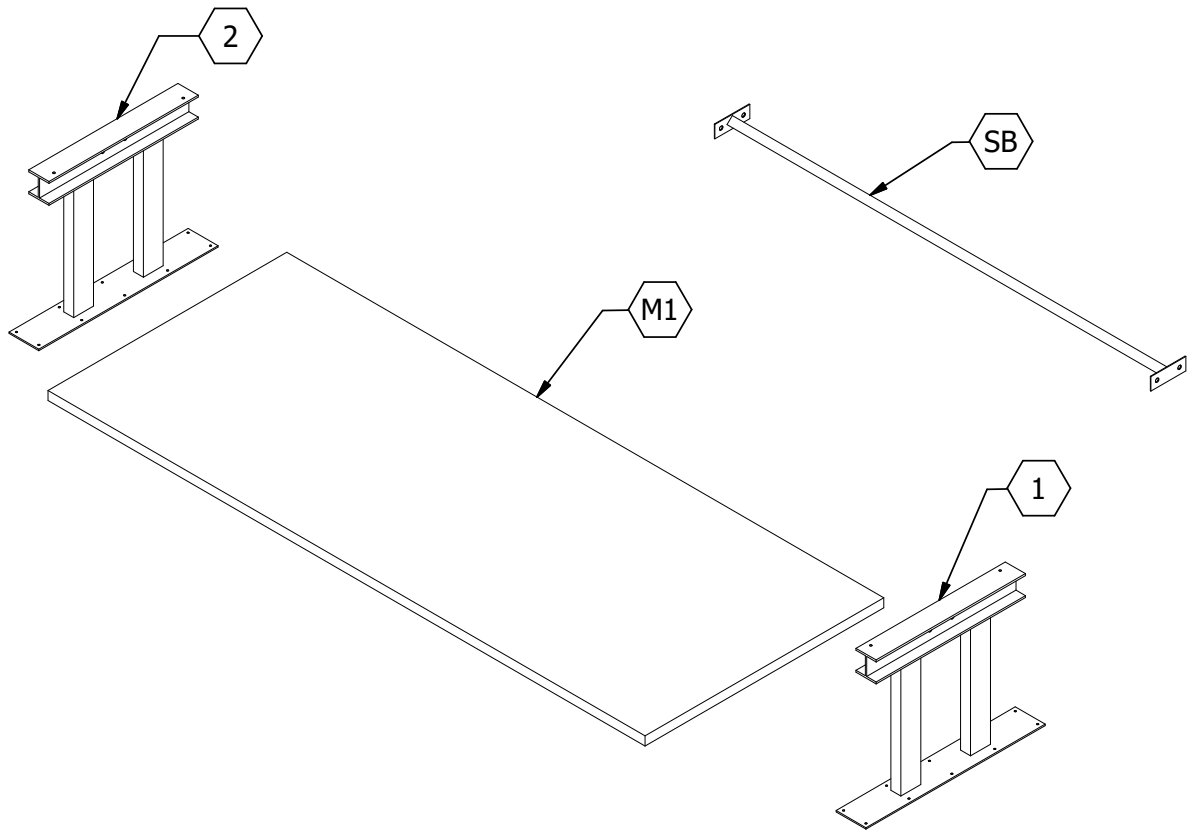
④

LEVELING FOOT
QTY: 4



9/16 Crescent Wrench

PARTS



LEFT TABBED LEG



RIGHT TABBED LEG



MAIN TOP

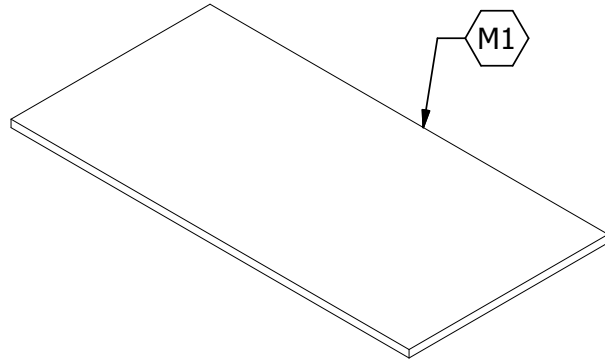


SUPPORT BAR

ASSEMBLY

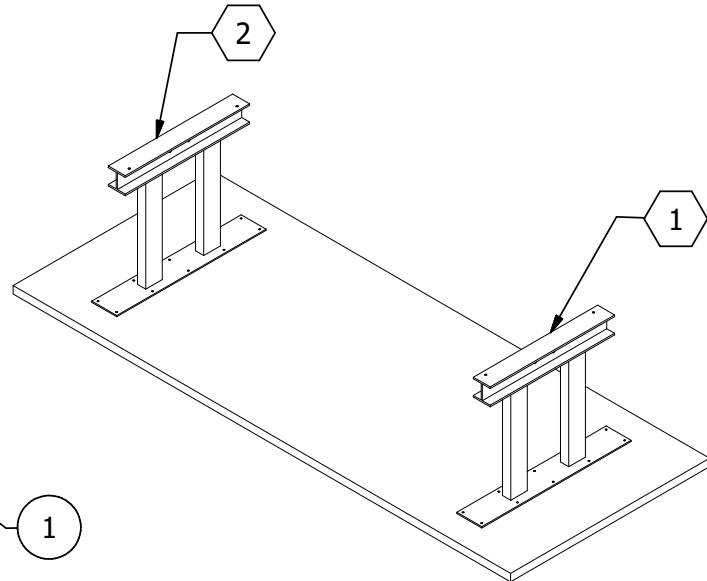
STEP 1

Place M1 top face down on a clean surface.

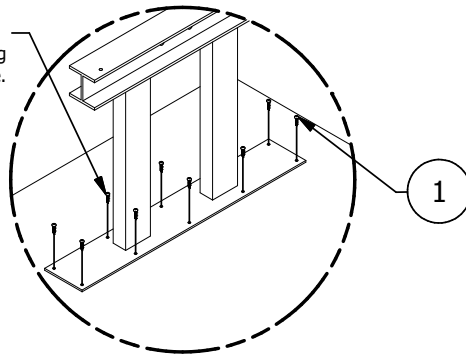


STEP 2

Align legs using markings on the underside of the M1 top. Screw in all legs with (10) 14-10 lag bolts in each leg.

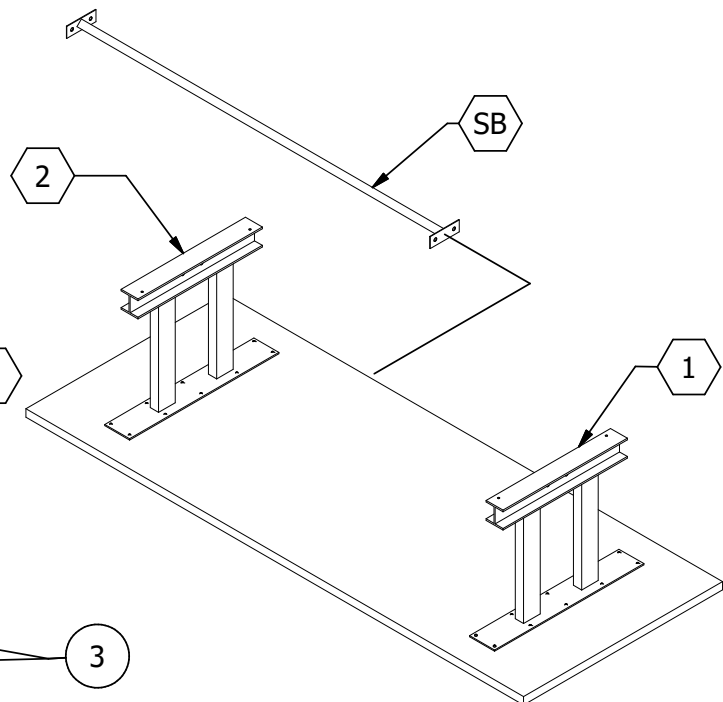


Screw in (10) 14-10 Lag bolts in each leg using a #3 square drive.

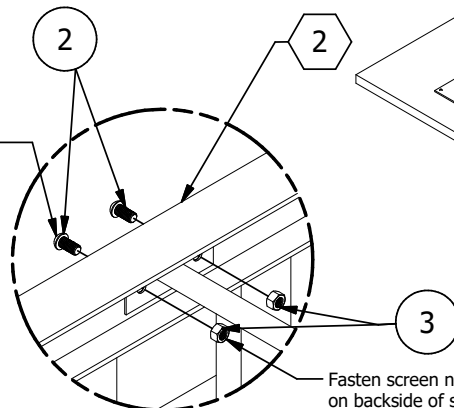


STEP 3

Align support bar to fit between legs. Secure support bar with (2) screen bolts and (2) screen nuts in each leg.



Insert screen bolts into the support bar through the tabbed legs using a 3/8 hex drive.

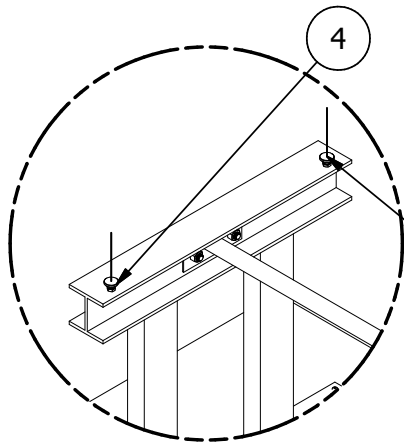


Fasten screen nut to screen bolt on backside of screen using a 15/16 crescent wrench.

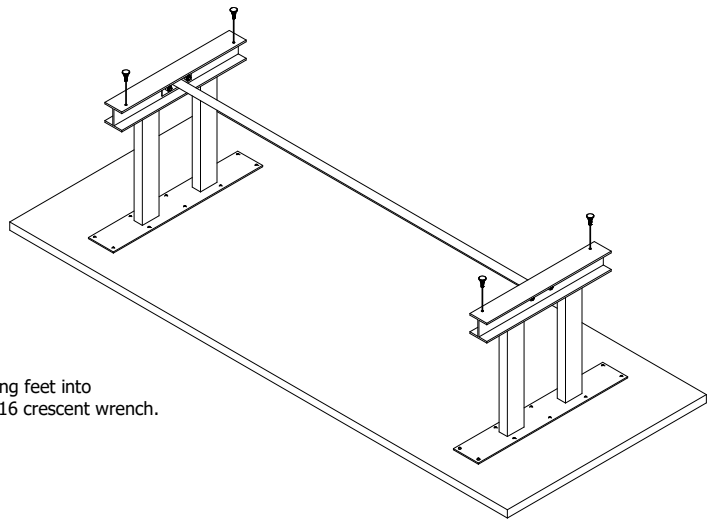
ASSEMBLY

STEP 4

Screw in (2) leveling feet in each leg.

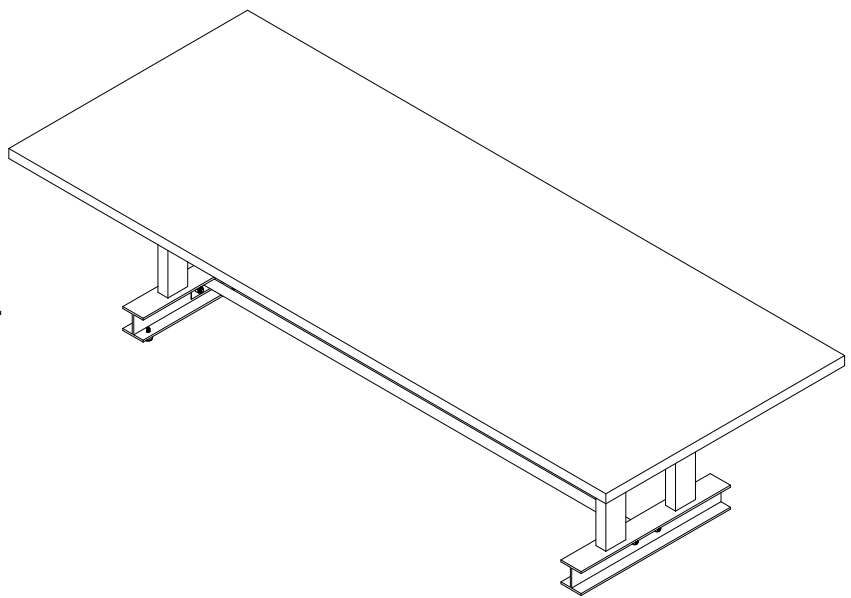


Screw in 2 leveling feet into each leg with 9/16 crescent wrench.



STEP 5

Flip M1 into an upright position.
Enjoy your table!



CARE INSTRUCTIONS

To care for either wooden or metal surfaces of this products, gently wipe with a soft cloth dampened with water and a mild dishwashing liquid. Once satisfied, dry with a soft cloth.