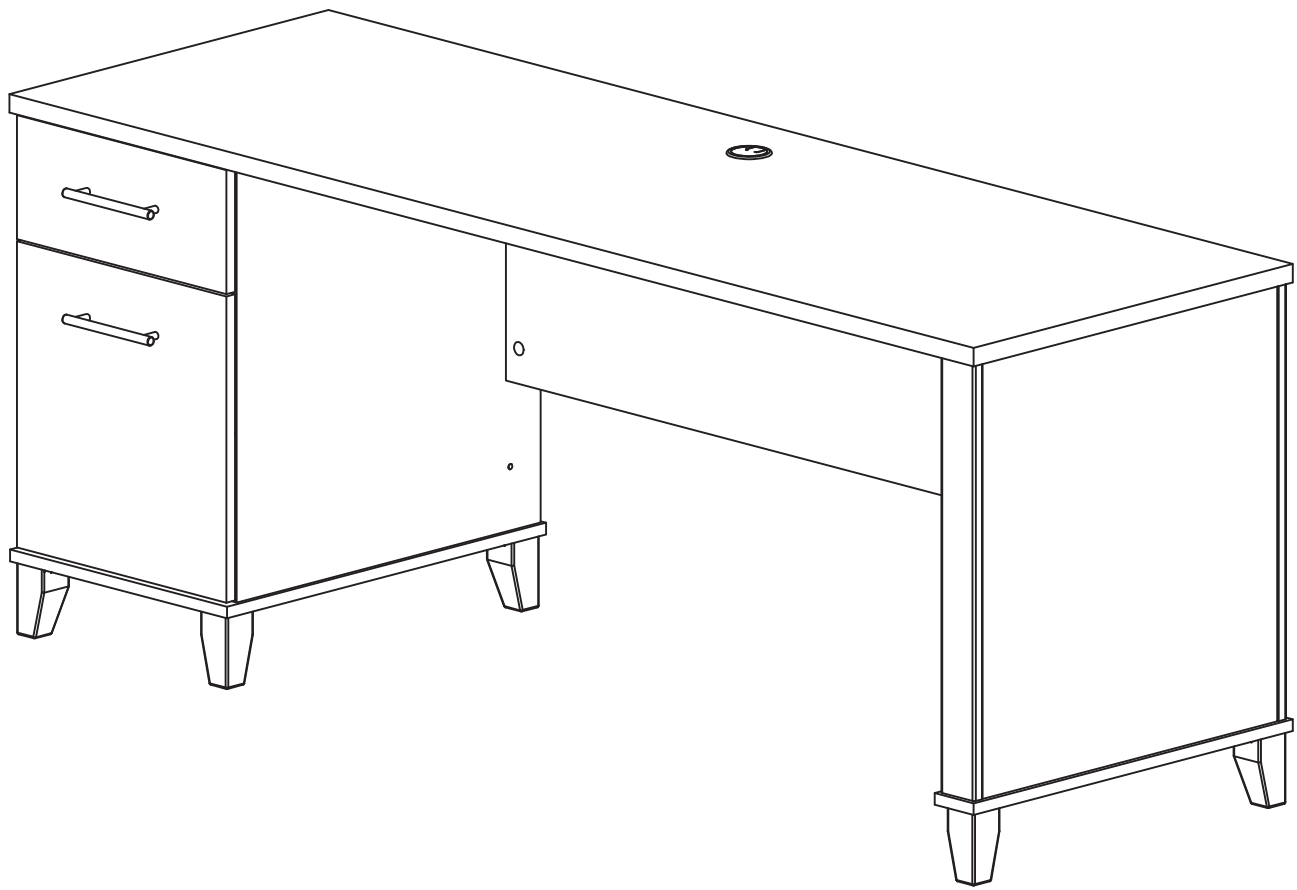


72 W Ped Desk



Get Ready to Assemble

For best results, keep these tips in mind:

- ① We know you want to finish this assembly as quickly as possible, but trust us: you'll have a better experience if you take it one step at a time.
- ② Give yourself some room to work near where you want the fully assembled product.
- ③ If your floor isn't carpeted, assemble this product on the empty carton to avoid scratching.
- ④ Do you have a friend who owes you a favor? Some steps may go a little easier with a second set of hands.

DOs

- ✔ Use a #2 Phillips head screwdriver (or other handheld tools as indicated)
- ✔ Wear safety glasses at all times during assembly
- ✔ Carefully follow the instructions in this guide and complete all steps in order
- ✔ Give us a call if you're having trouble with a particularly tricky step

DON'Ts

- ✘ We know power tools are quick and easy, but you shouldn't use them when assembling this product (unless otherwise specified)
- ✘ Never move your furniture with items inside or resting on the surface
- ✘ Do not attempt to use this product before all steps have been completed

IMPORTANT SAFETY INFORMATION



PLEASE READ WARNINGS

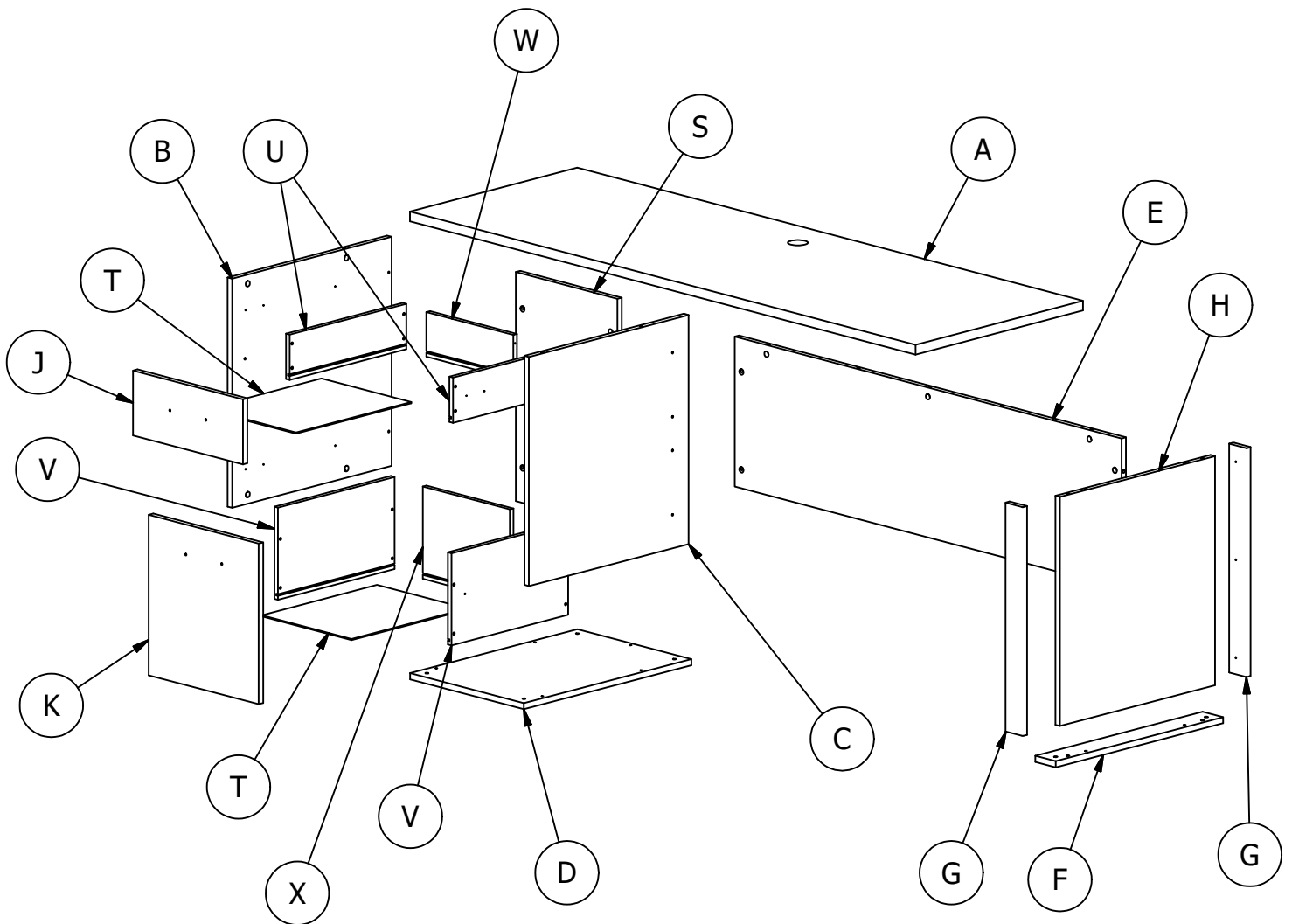
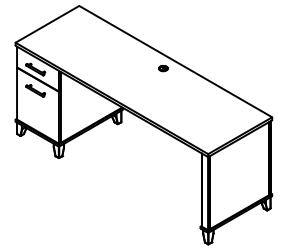
Improper use can cause safety hazards, or damage to your furniture and household items.

Warning	Do	Don't	Why it's important
Serious injury may occur.	<ul style="list-style-type: none">Assemble following all instructions using all indicated parts and hardware provided.	<ul style="list-style-type: none">Do not move unit when loaded.Do not load with a television or other heavy equipment.Do not exceed the maximum load limits stated in the instructions.	Improper assembly, use or loading can lead to product instability, tipover, or collapse.

Advertencia	Hacer	No	Por qué es importante
Pueden producirse lesiones graves.	<ul style="list-style-type: none">Realice el montaje siguiendo todas las instrucciones y utilizando todas las piezas indicadas y los herrajes suministrados.	<ul style="list-style-type: none">No mueva la unidad cuando esté cargada.No cargue el mueble con un televisor u otro equipo pesado.No supere los límites máximos de carga indicados en las instrucciones.	El montaje, uso o carga inadecuados pueden provocar inestabilidad, vuelco o colapso del producto.

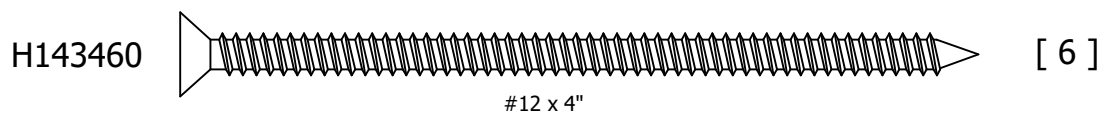
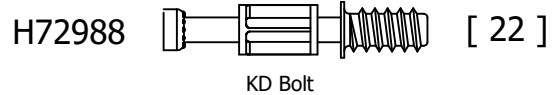
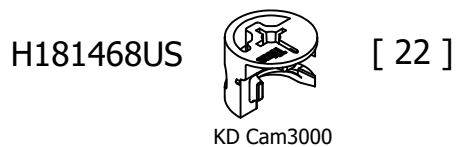
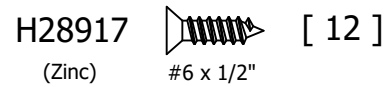
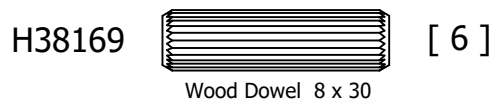
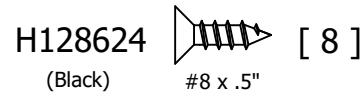
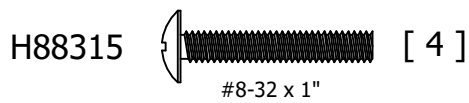
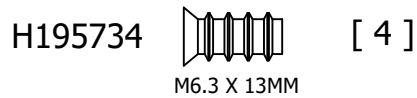
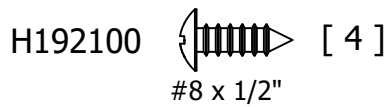
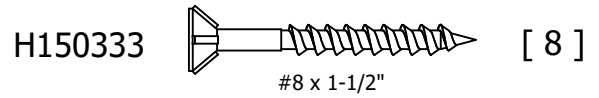
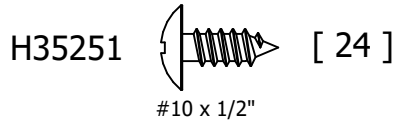
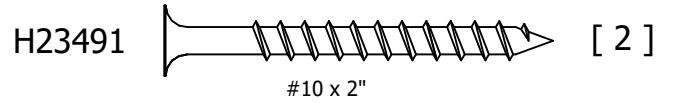
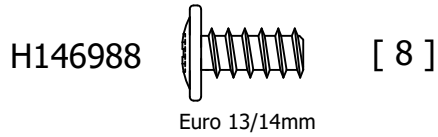
Avertissement	À faire	À ne pas faire	Pourquoi c'est important
Peut entraîner des blessures graves.	<ul style="list-style-type: none">Assembler en suivant toutes les instructions et en utilisant toutes les pièces et la quincaillerie incluses.	<ul style="list-style-type: none">Ne pas déplacer le meuble lorsqu'il est chargé.Ne pas charger le meuble avec un téléviseur ou tout autre équipement lourd.Ne pas dépasser les limites de poids maximales indiquées dans les instructions.	Un assemblage, une utilisation ou un chargement incorrects peuvent entraîner l'instabilité, le basculement ou l'effondrement du produit.

Get to know your Boards



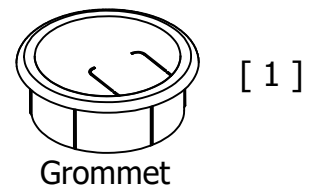
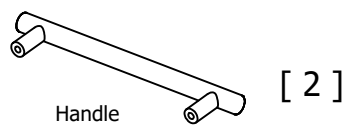
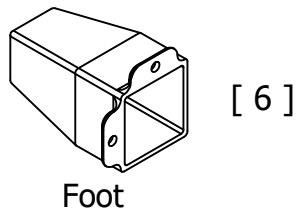
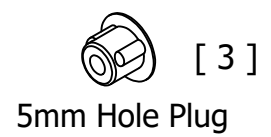
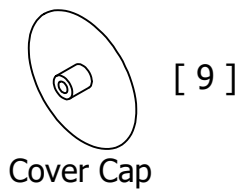
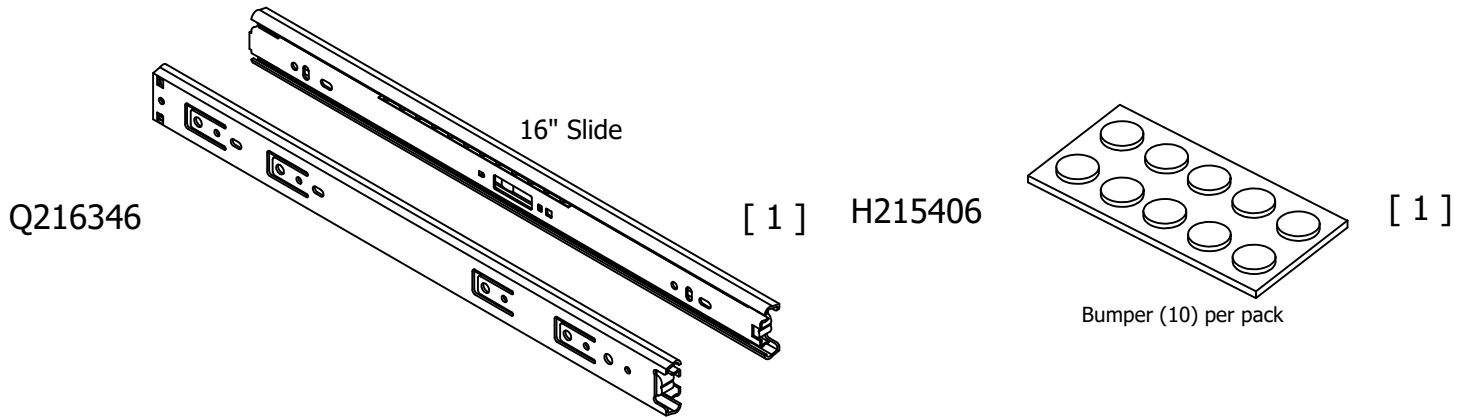
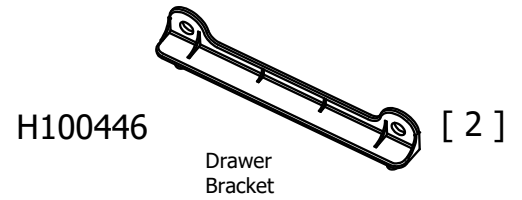
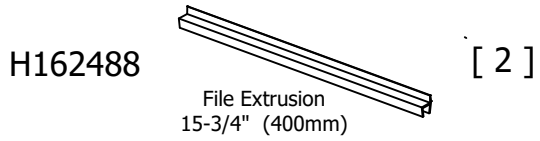
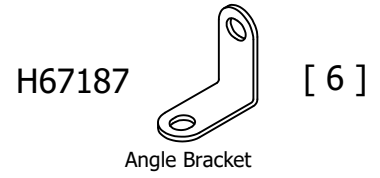
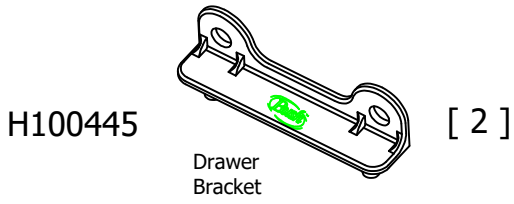
Get to know your Fasteners

Fasteners are shown actual size.



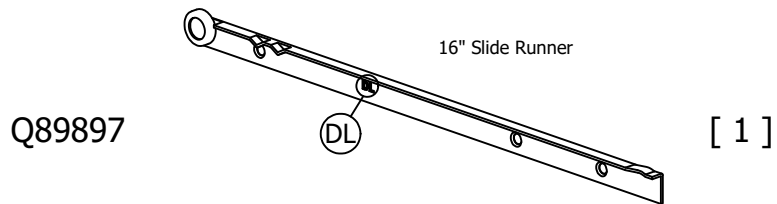
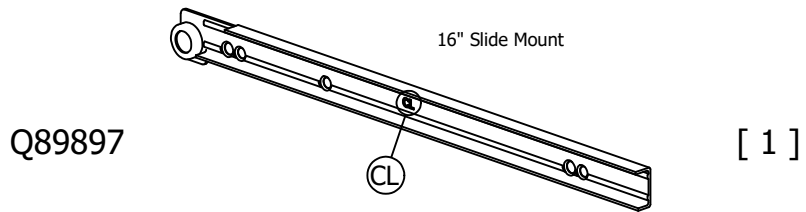
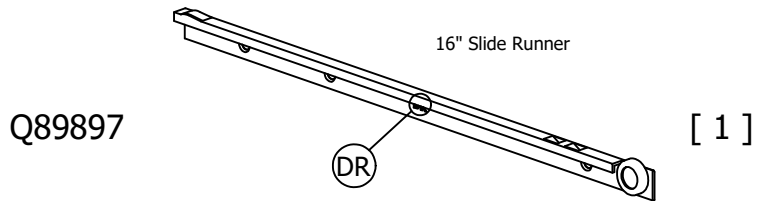
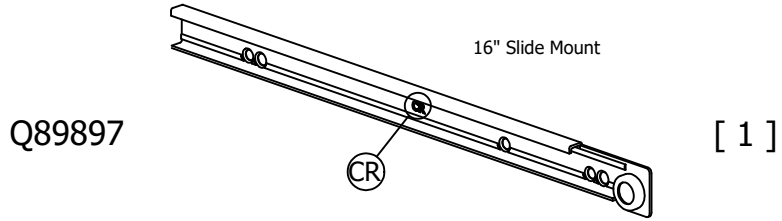
Get to know your Hardware

Hardware not to scale.



Get to know your Hardware

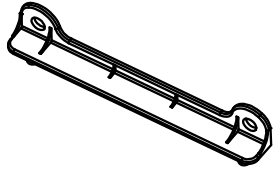
Hardware not to scale.



STEP 1

Prepare Panels

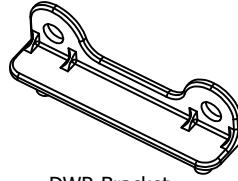
H100446



[2]

Drawer Bracket

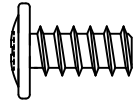
H100445



[2]

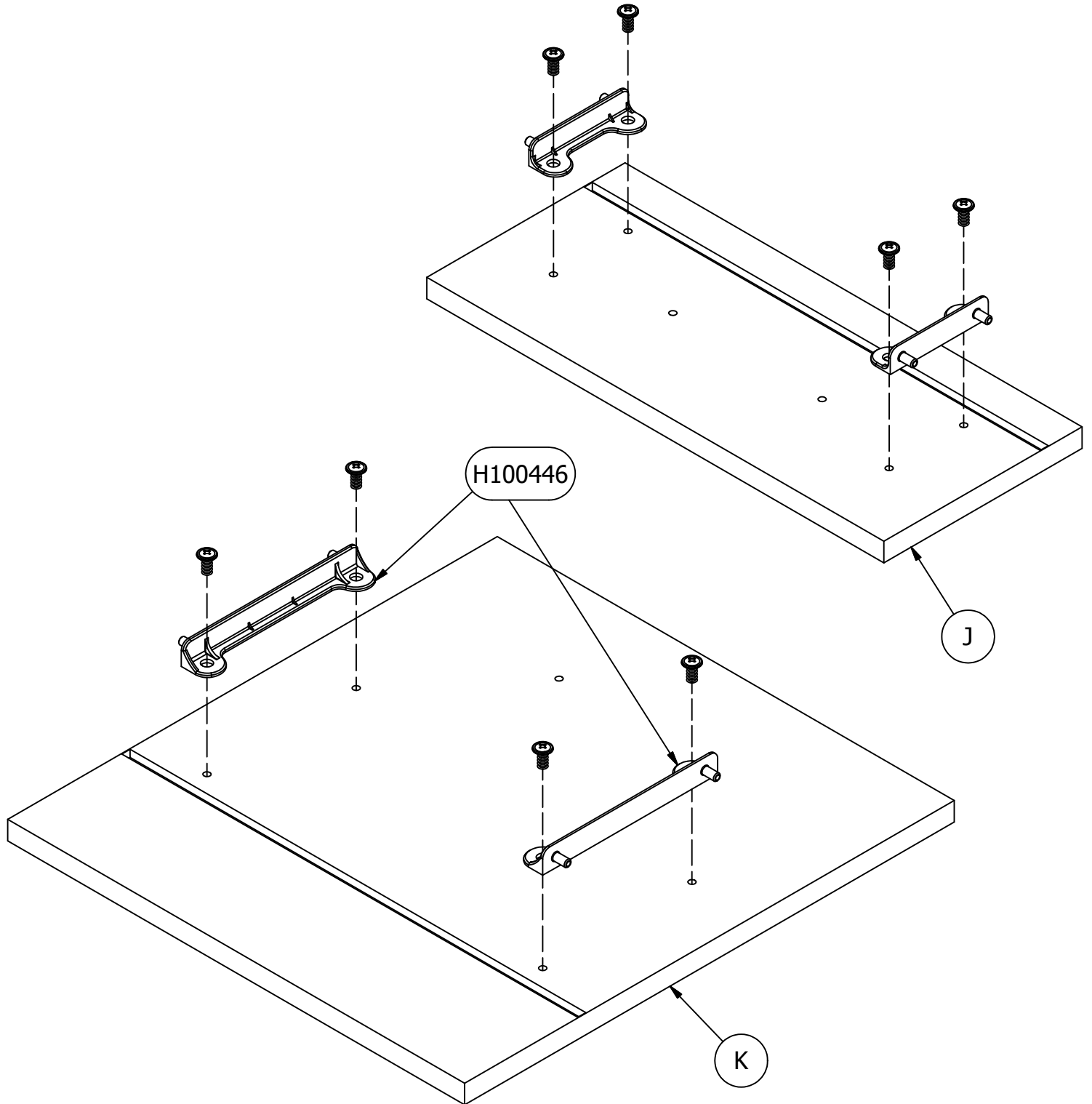
DWR Bracket

H146988



[8]

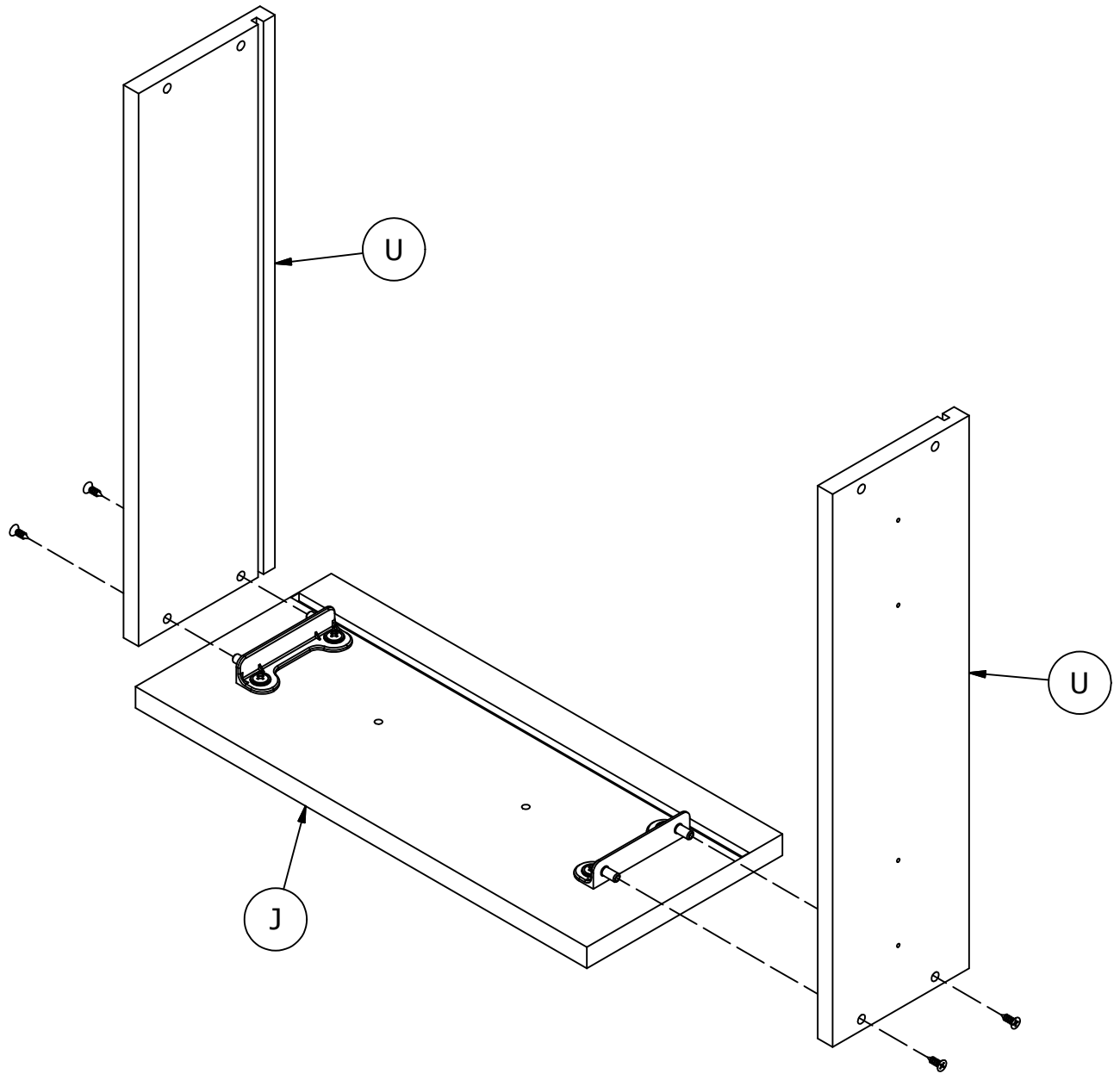
Euro 13/14mm



STEP 2

Assemble Panels

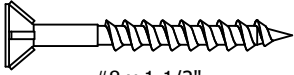
H128624 [4]
(Black) #8 x .5"



STEP 3

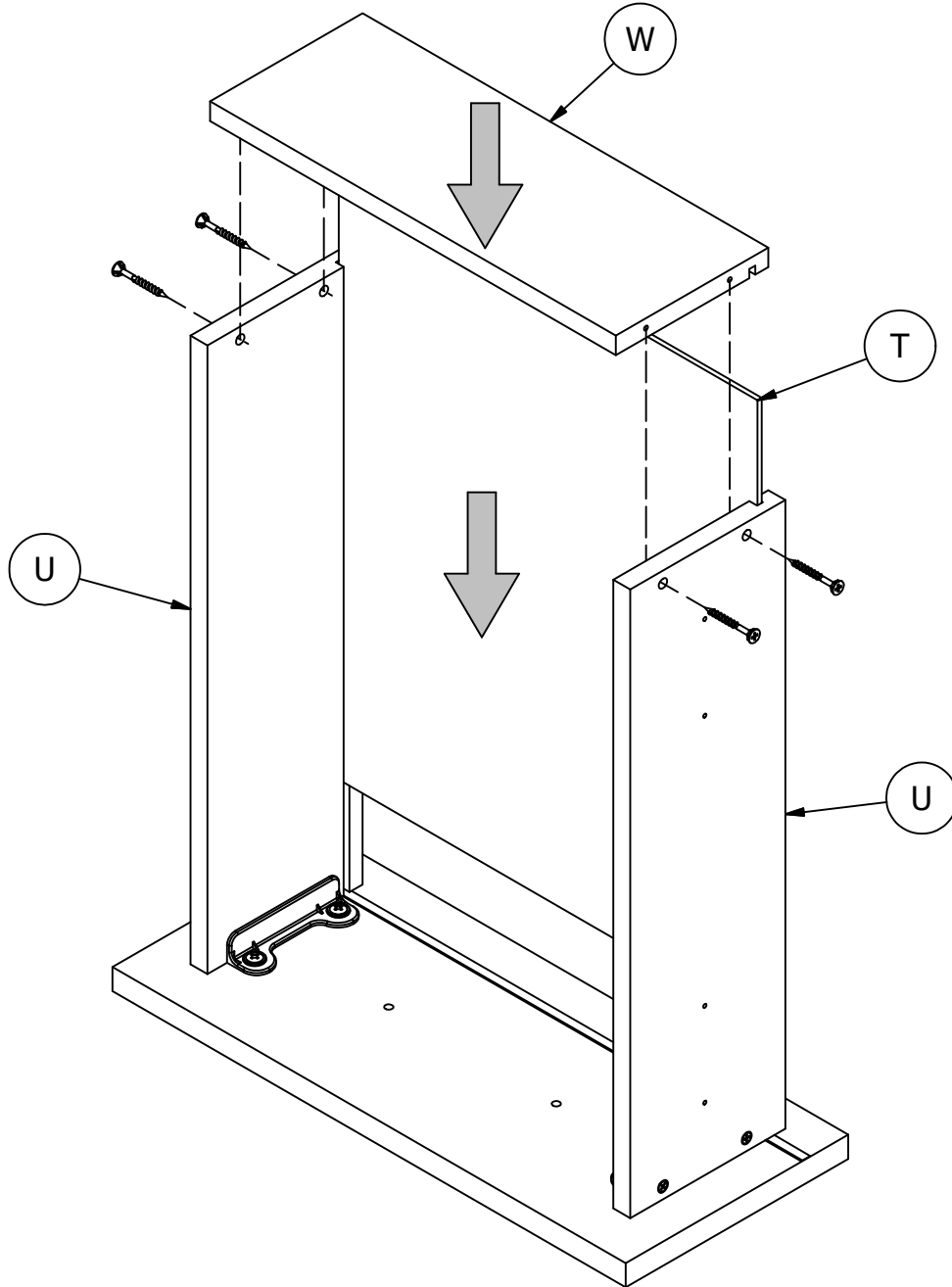
Assemble Panels

H150333



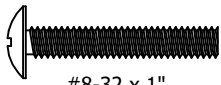
#8 x 1-1/2"

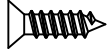
[4]

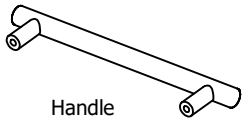


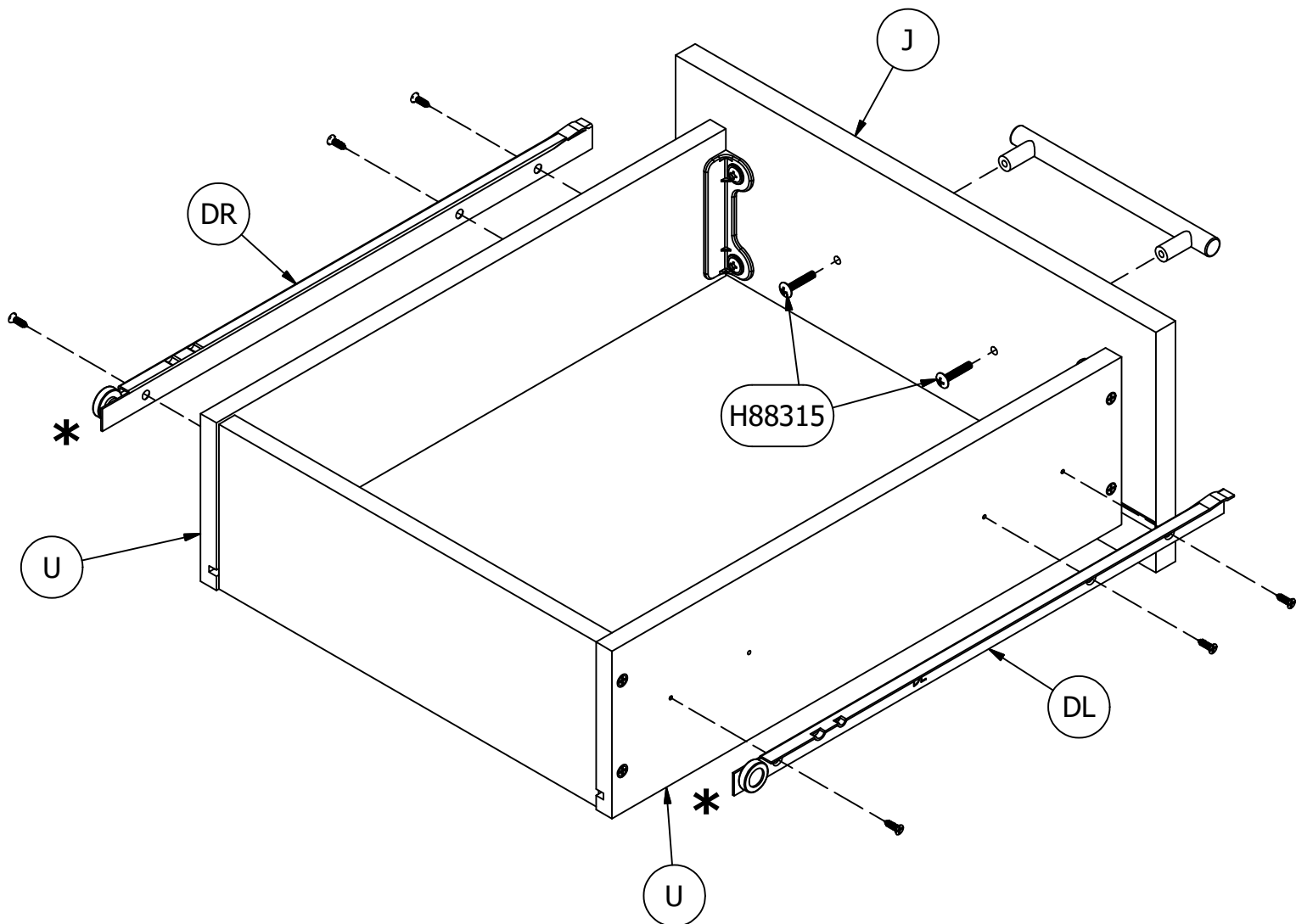
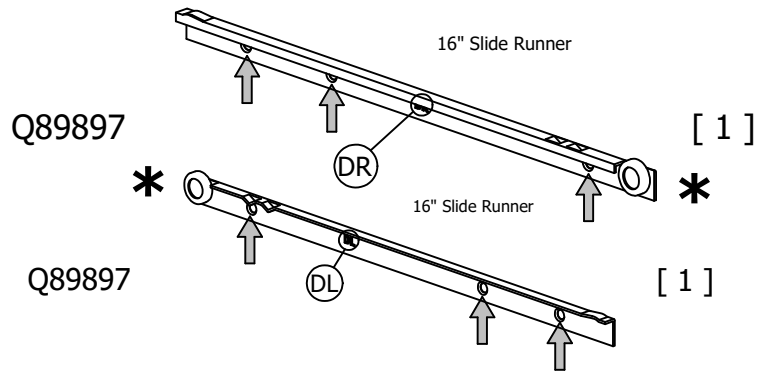
STEP 4

Attach Hardware

H88315  [2]
#8-32 x 1"

H28917  [6]
#6 x 1/2" Silver

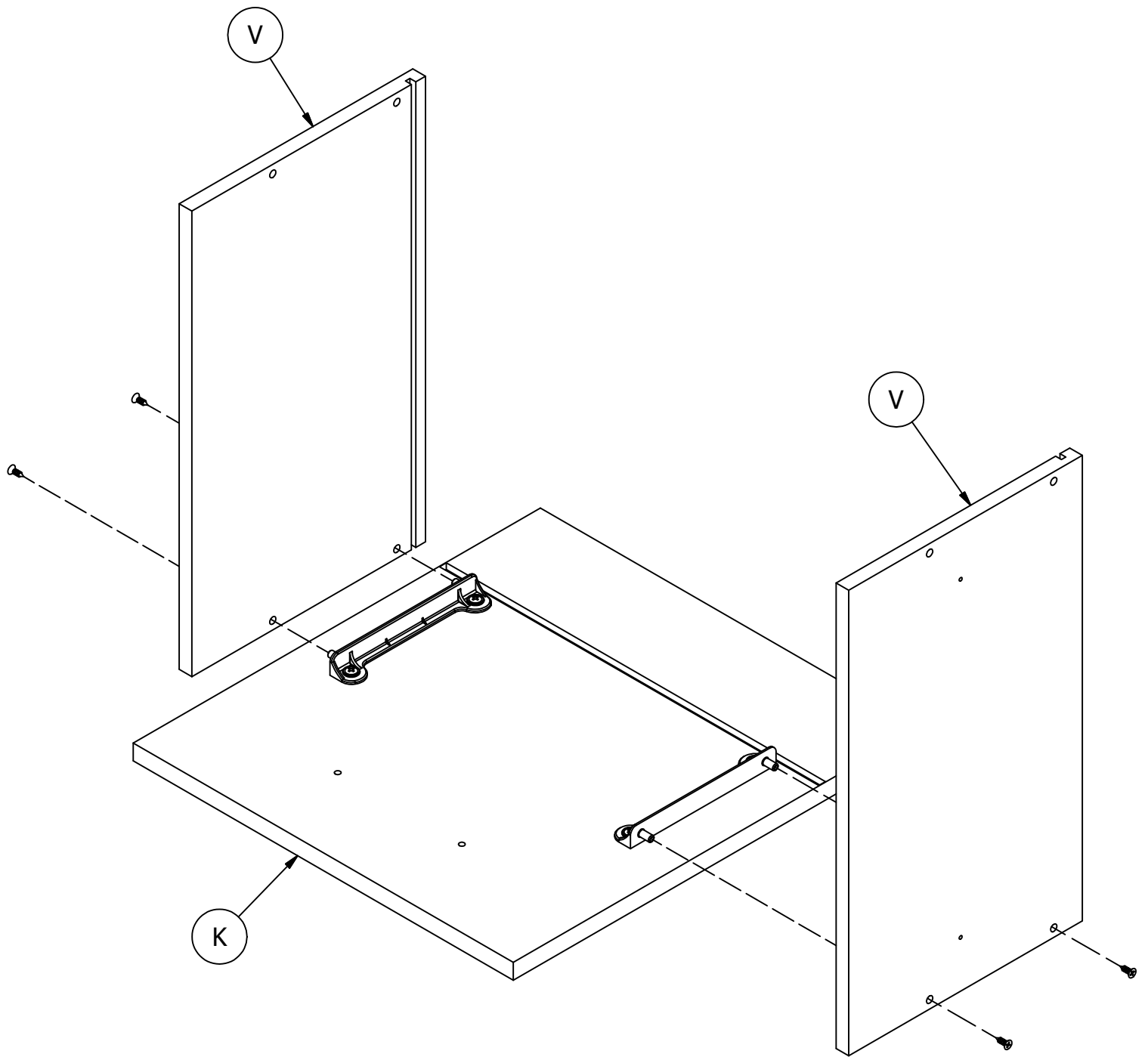
 [1]
Handle



STEP 5

Assemble Panels

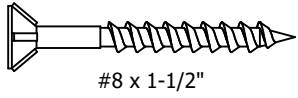
H128624 [4]
(Black) #8 x .5"



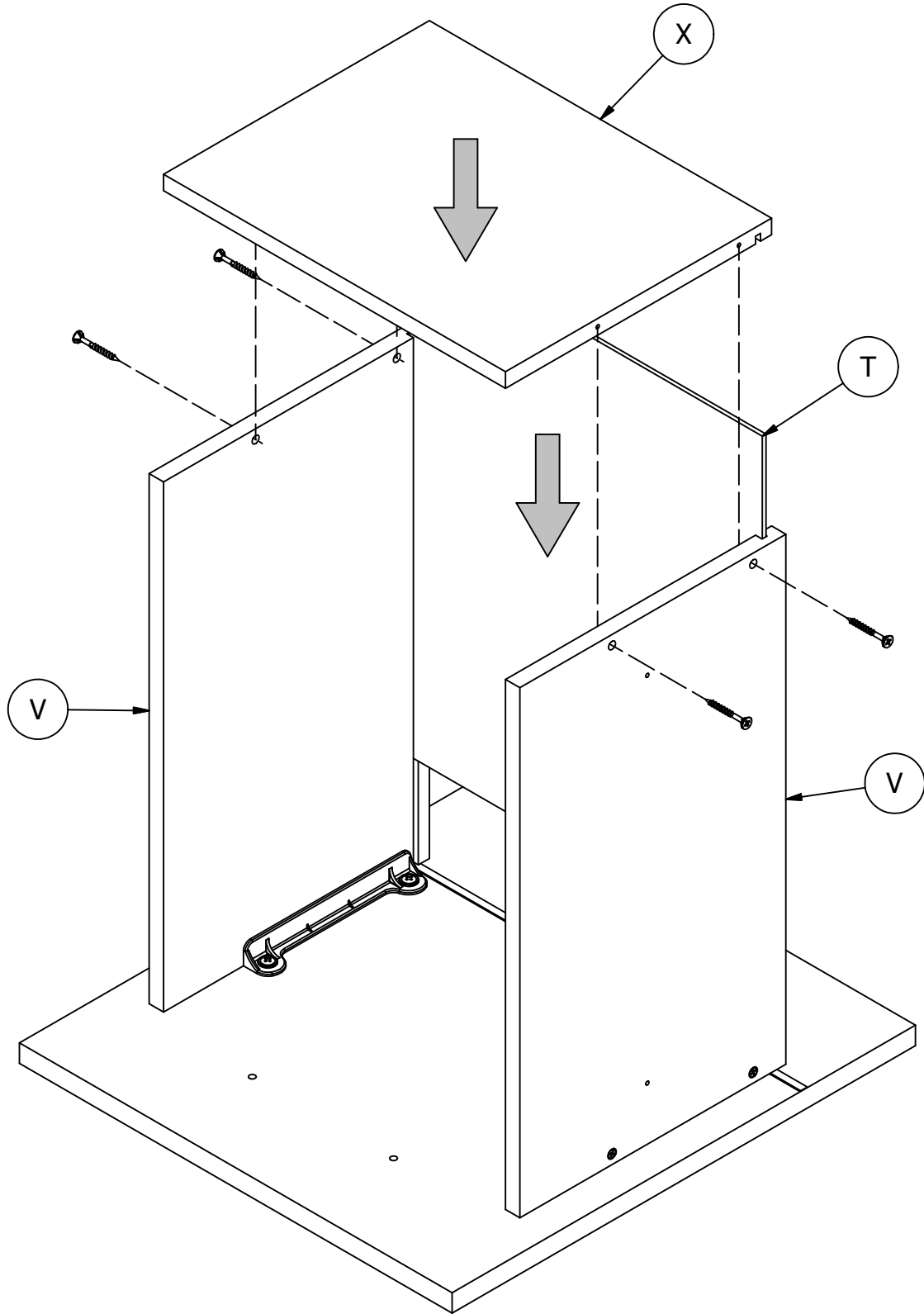
STEP 6

Assemble Panels

H150333



[4]



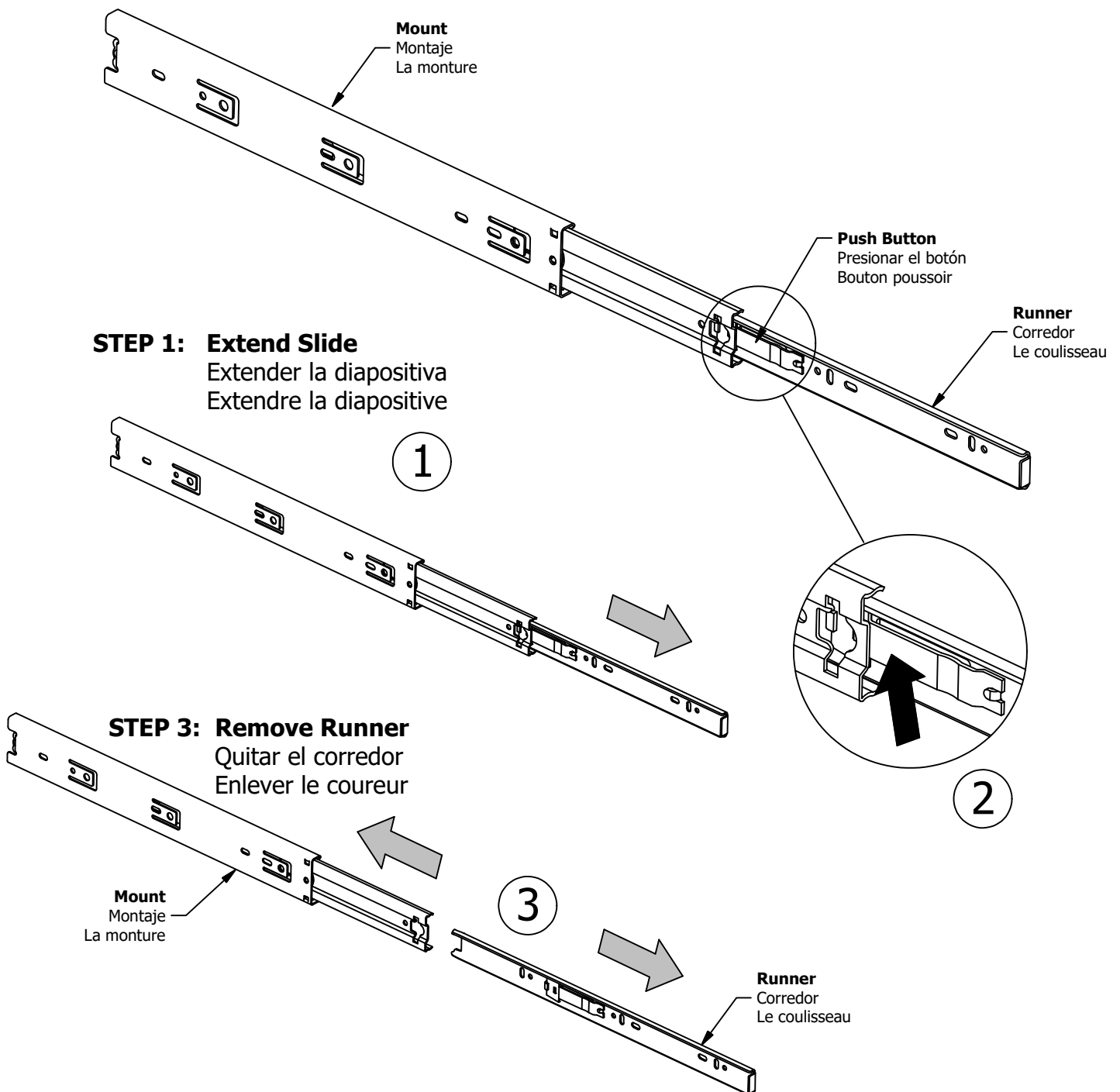
STEP 7

Separate Slides

**Slides Must Be Separated Before Assembly.
After Separated, Set Aside Until Needed for Assembly.**

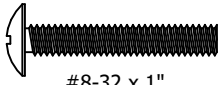
Las diapositivas deben separarse antes del montaje.
Después de la separación, déjelo a un lado hasta que sea necesario.

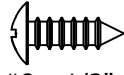
Les glissières doivent être séparées avant l'assemblage.
Après la séparation, mettez de côté jusqu'au moment de l'assemblage.



STEP 8

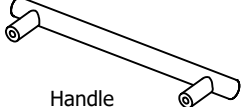
Attach Hardware

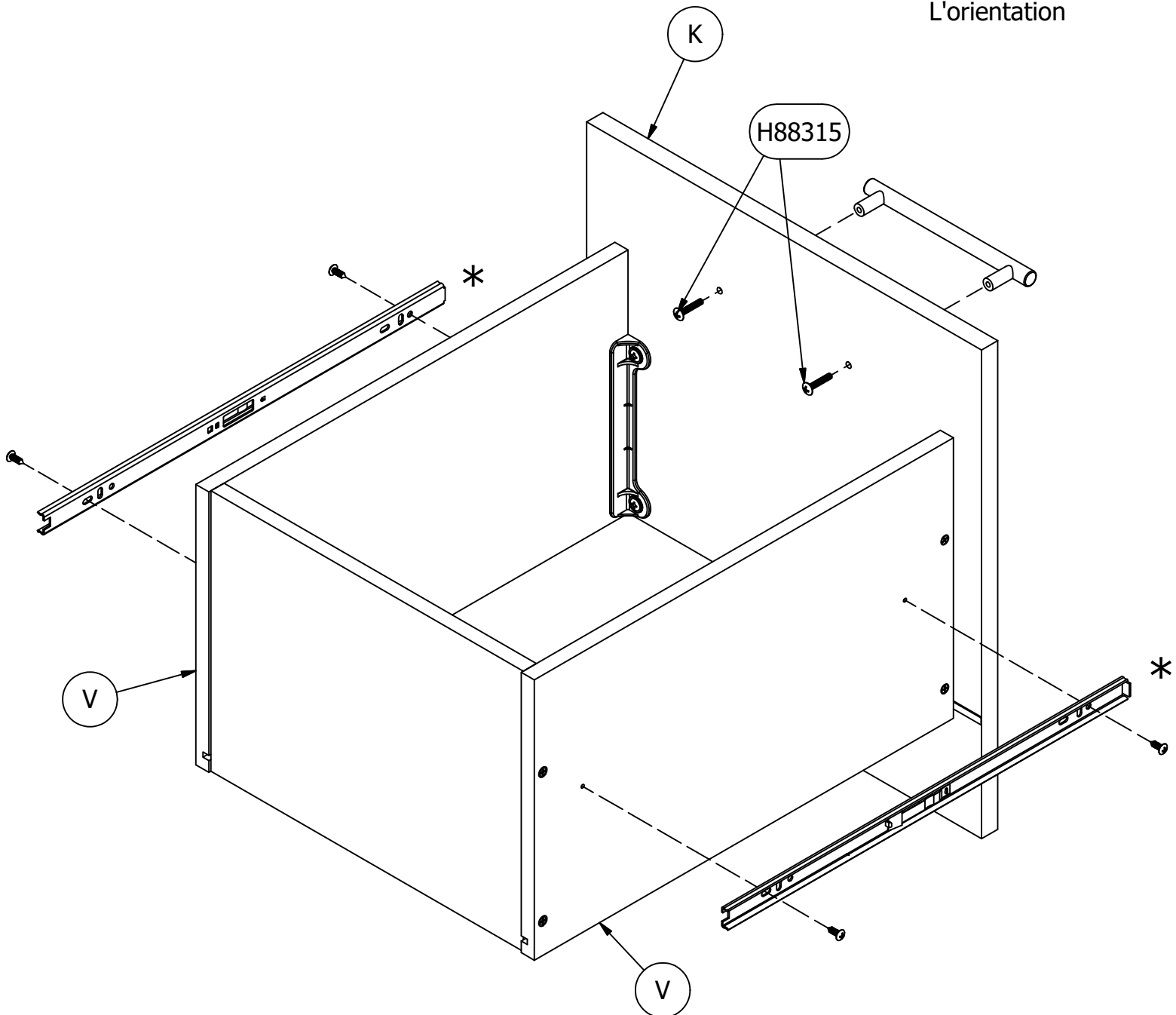
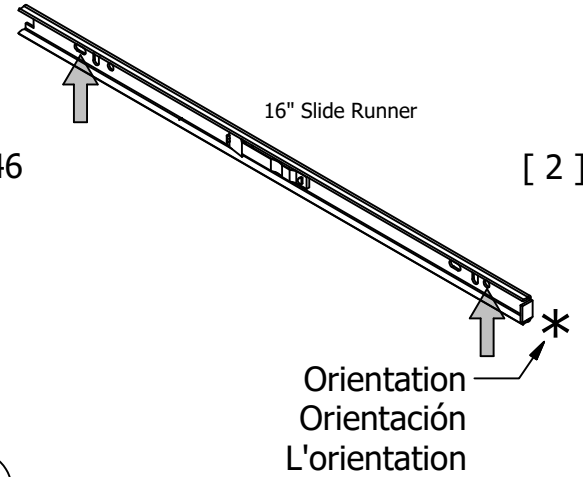
H88315  [2]
#8-32 x 1"

H192100  [4]
#8 x 1/2"

Q216346

[2]

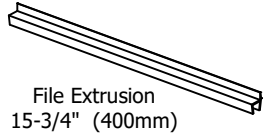
 [1]
Handle



STEP 9

Attach Hardware

H162488

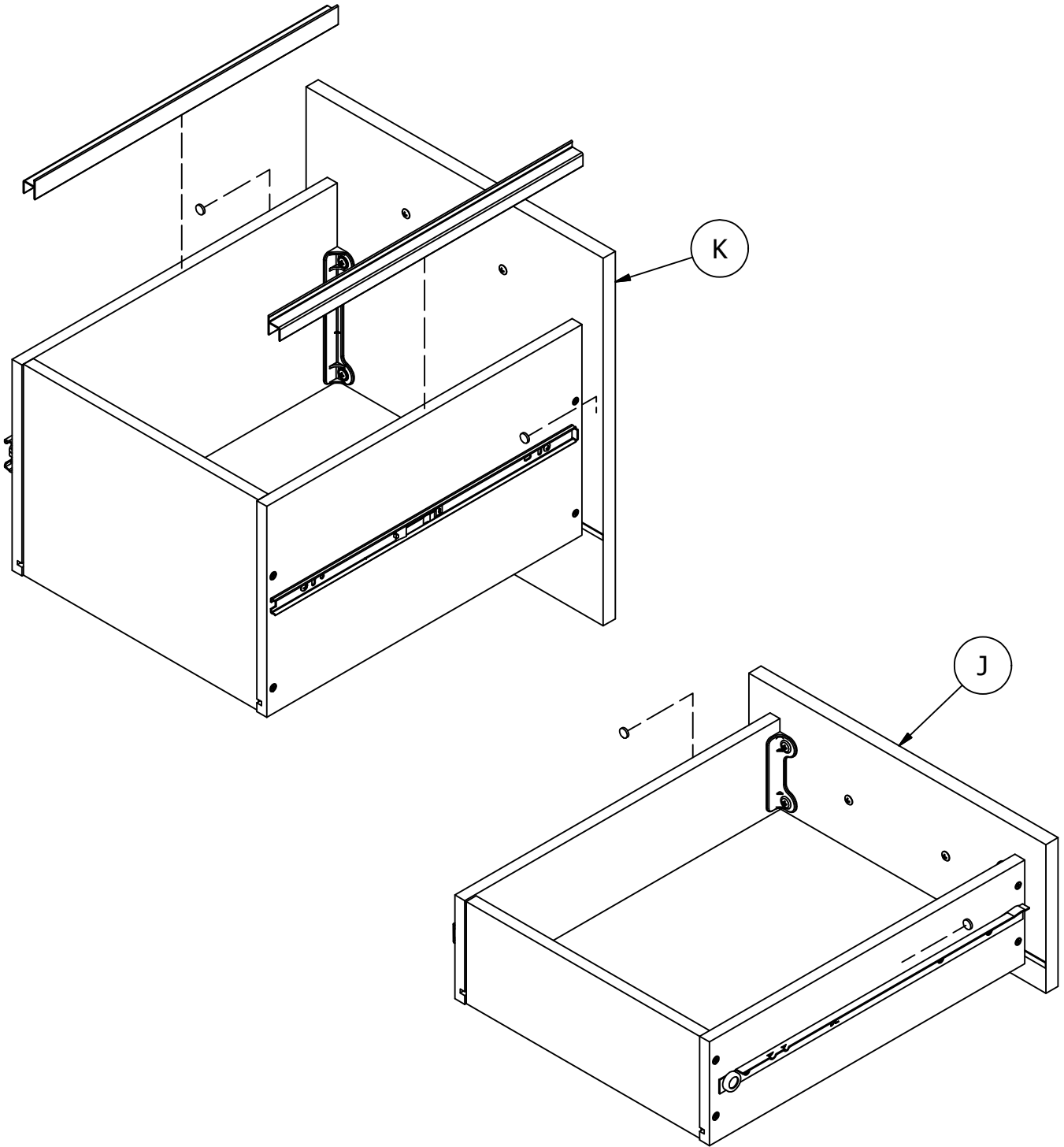


[2]

H215406



[4]



STEP 10

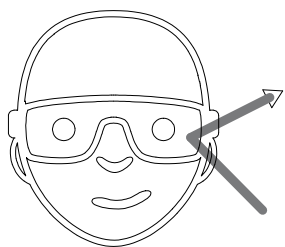
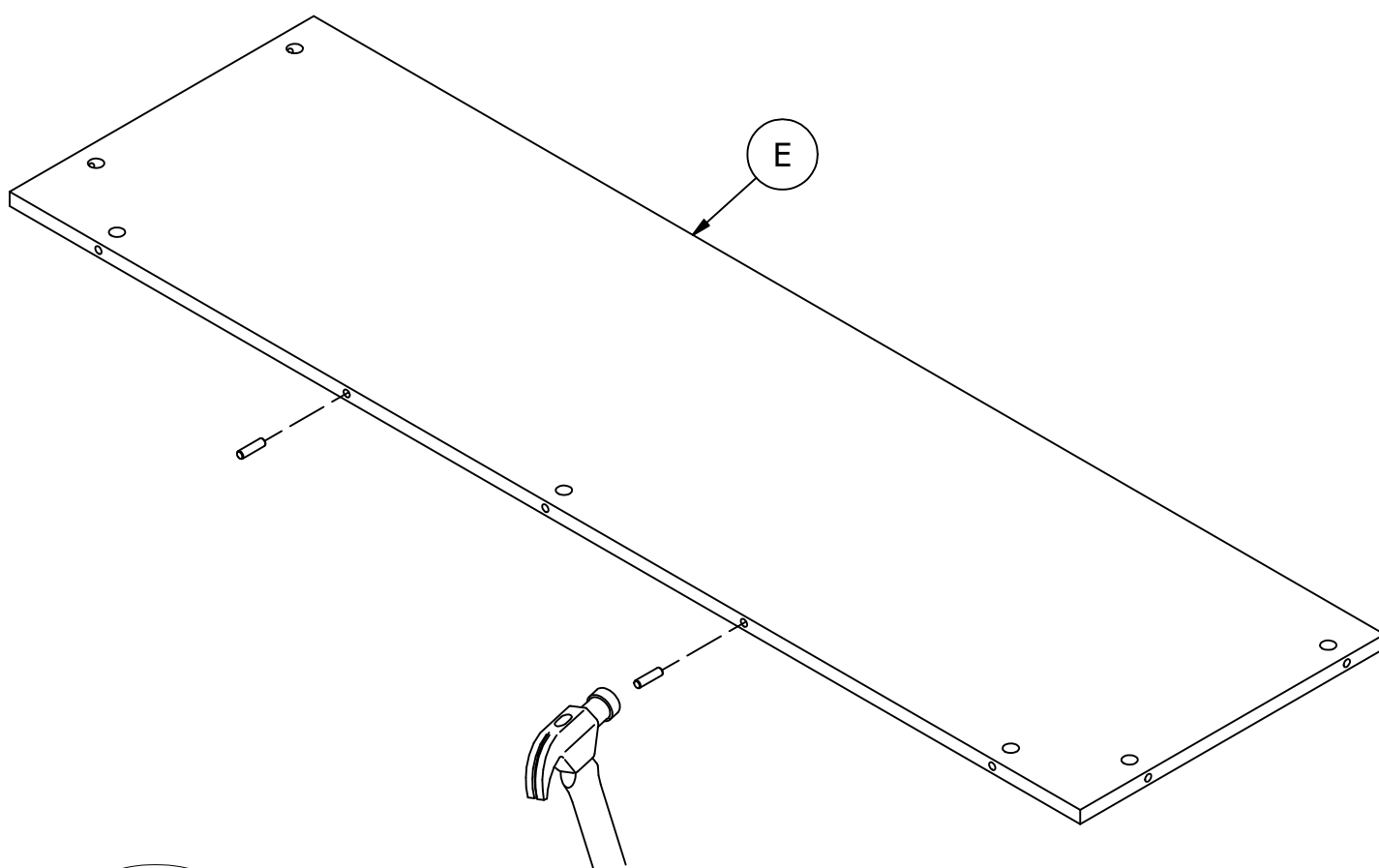
Prepare Panel

H38169



[2]


Wood Dowel 8 x 30

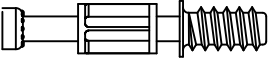


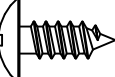
Safety glasses
Gafas de seguridad
Lunettes de protection

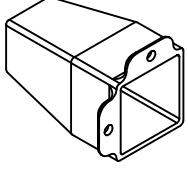
STEP 11

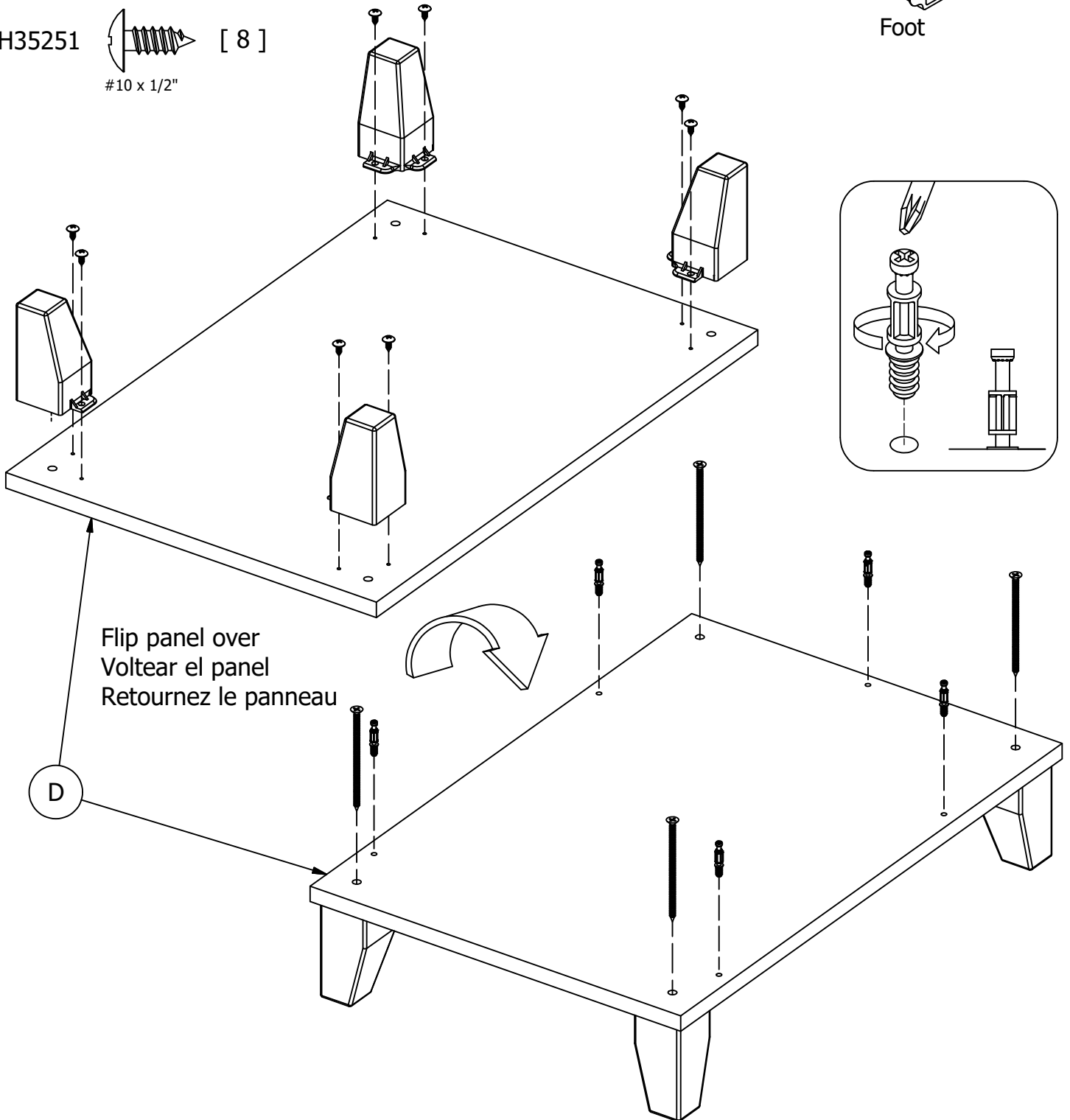
Prepare Panel

H143460  [4]
#12 x 4"

H72988  [5]
KD Bolt

H35251  [8]
#10 x 1/2"

 [4]
Foot



Flip panel over
Voltear el panel
Retournez le panneau

D

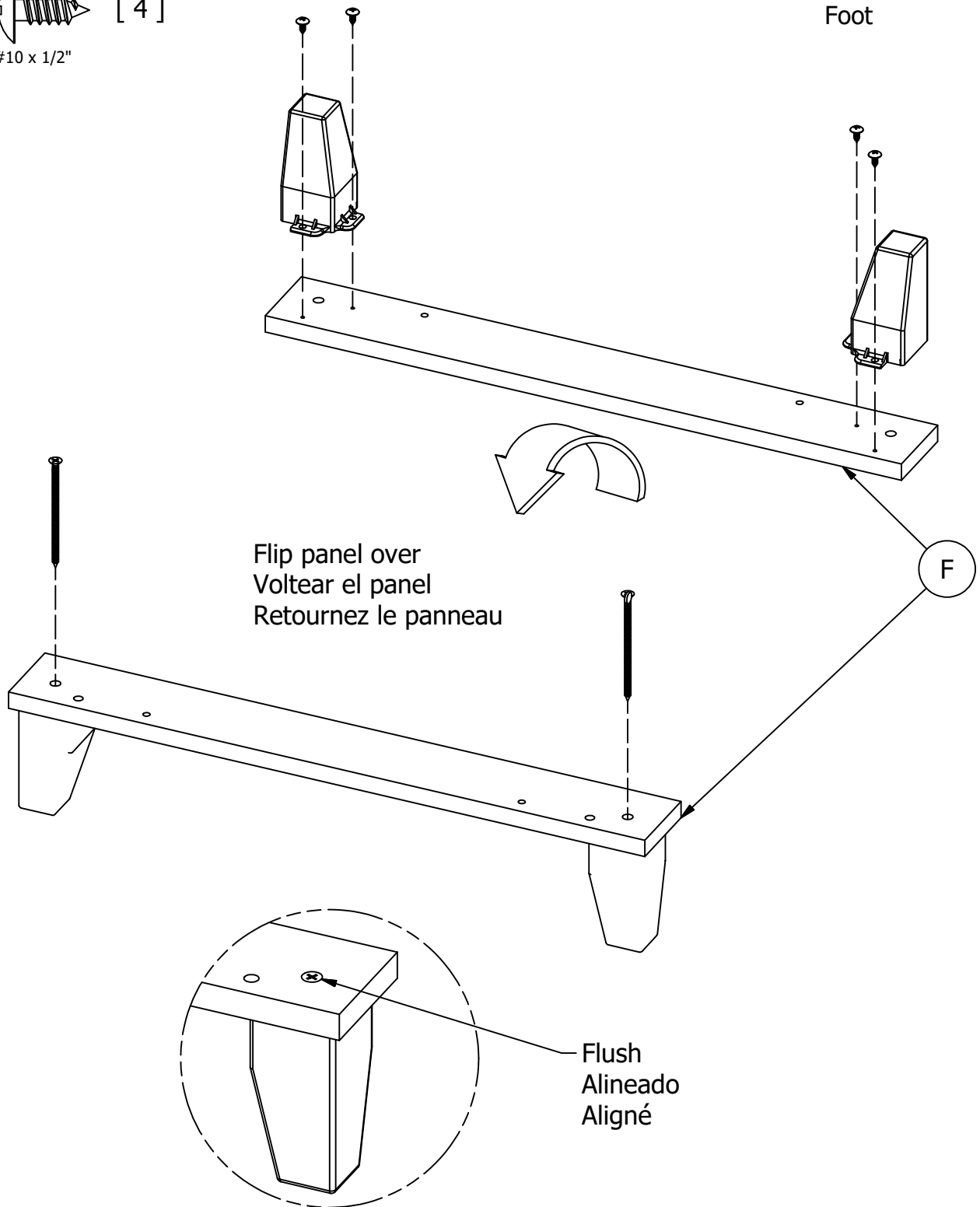
STEP 12

Prepare Panel

H143460 [2]
#12 x 4"

[2]
Foot

H35251 [4]
#10 x 1/2"



STEP 13

Prepare Panels

H67187

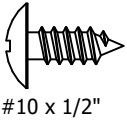


[6]

Angle Bracket

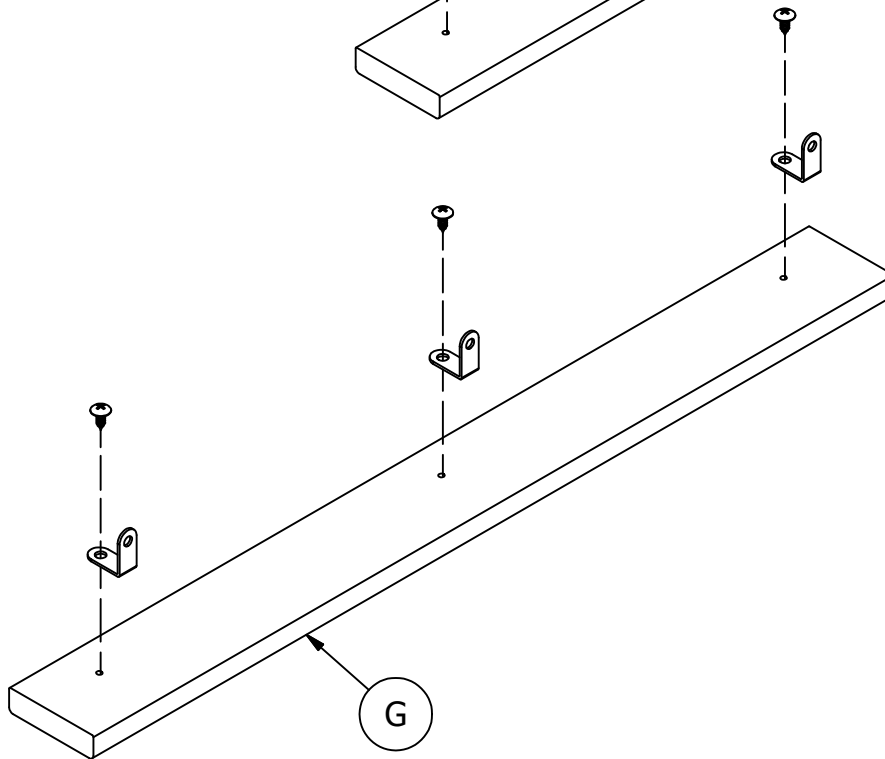
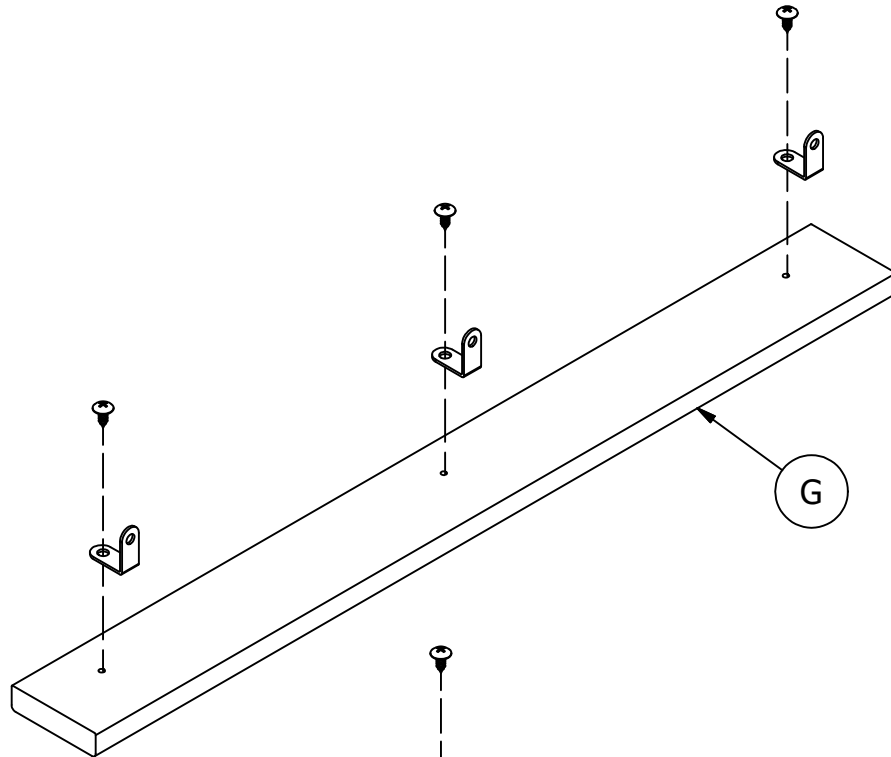
Do not fully tighten.
No apriete completamente.
Ne pas visser a fond.

H35251

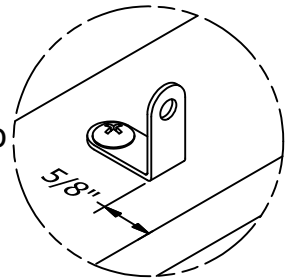


[6]

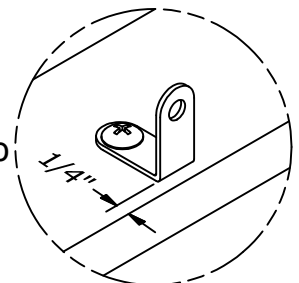
#10 x 1/2"



Correct
Correcto
Correct



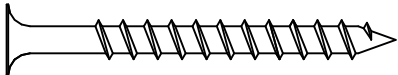
Incorrect
Incorrecto
Incorrect

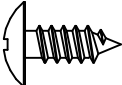


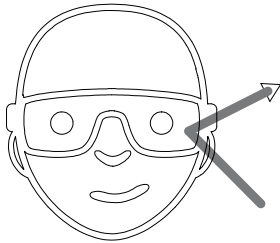
STEP 14

Assemble Panels

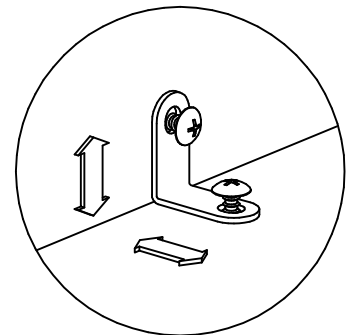
H38169  [4]
Wood Dowel 8 x 30

H23491  [2]
#10 x 2"

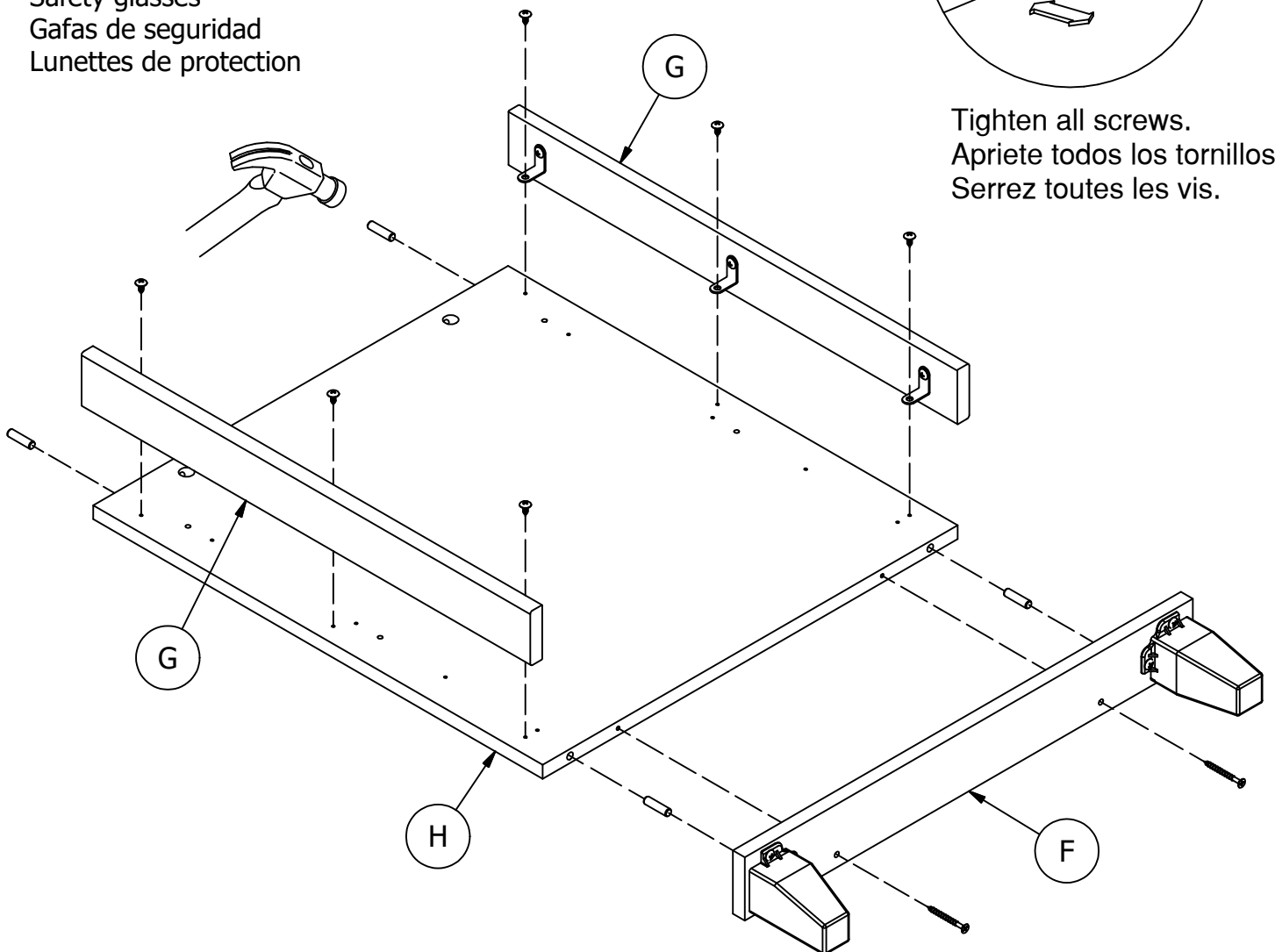
H35251  [6]
#10 x 1/2"



Safety glasses
Gafas de seguridad
Lunettes de protection



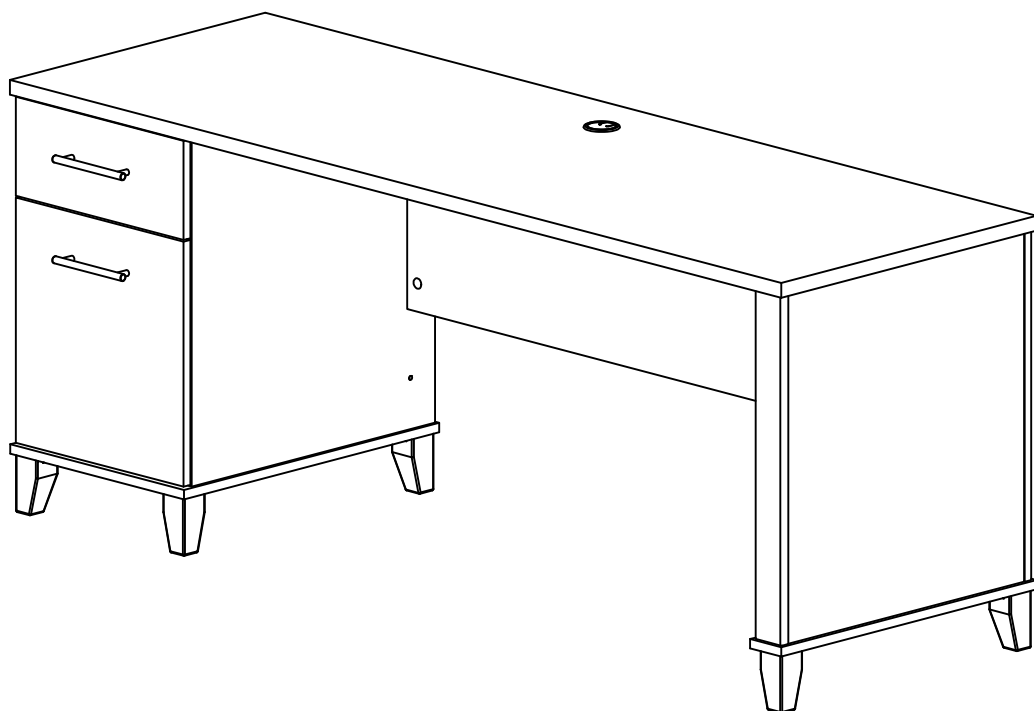
Tighten all screws.
Apriete todos los tornillos.
Serrez toutes les vis.



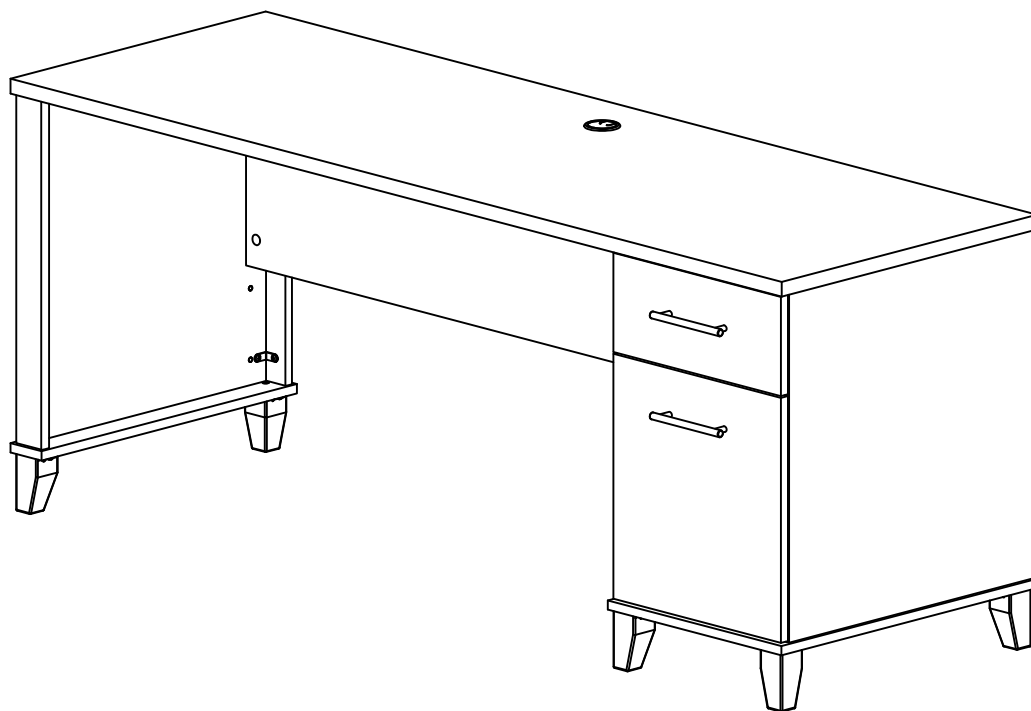
STEP 15

Assembly Options

Go to Step 16.
Proceda al paso 16.
Allez à l'étape 16.



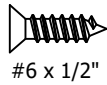
Go to Step 26.
Proceda al paso 26.
Allez à l'étape 26.



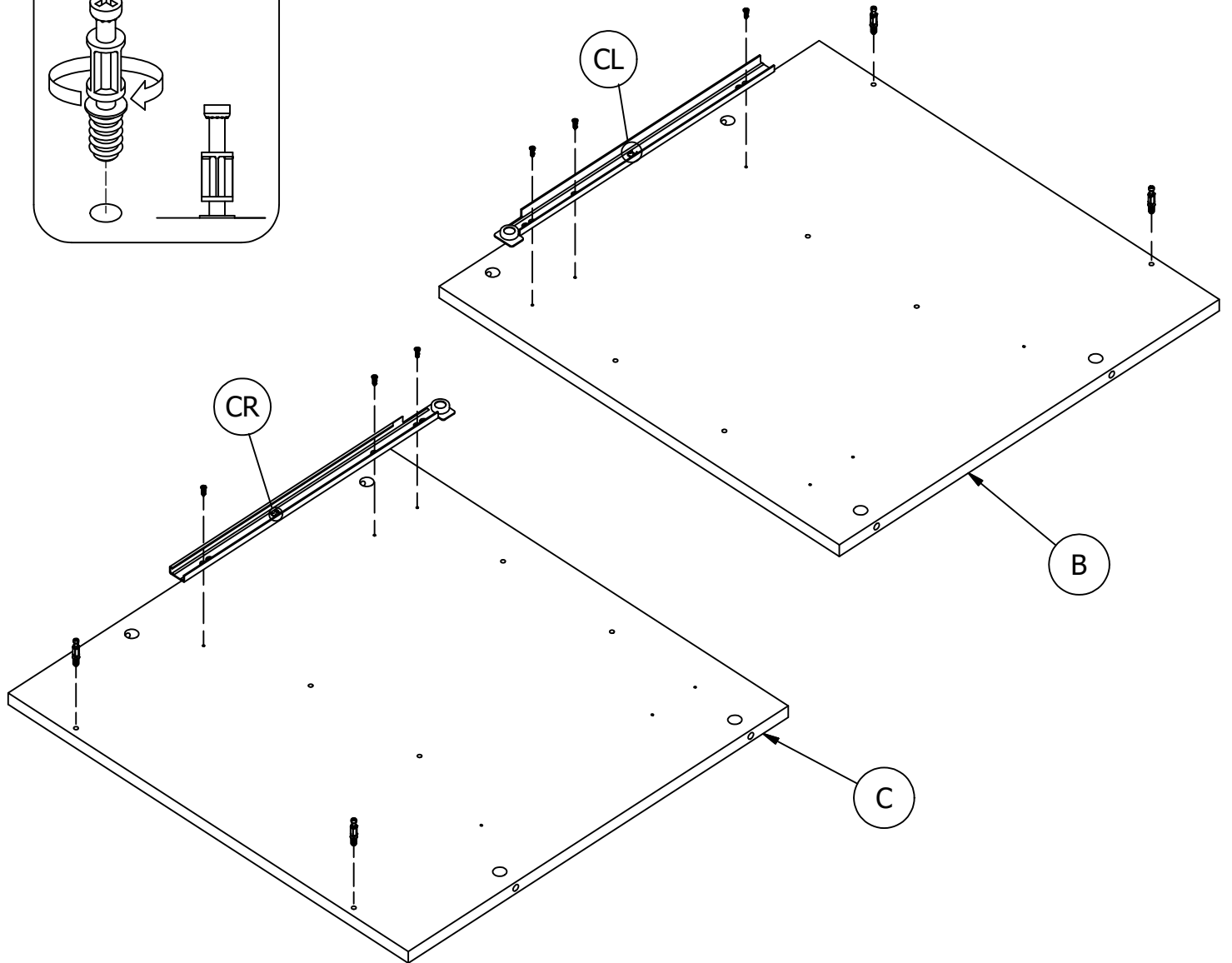
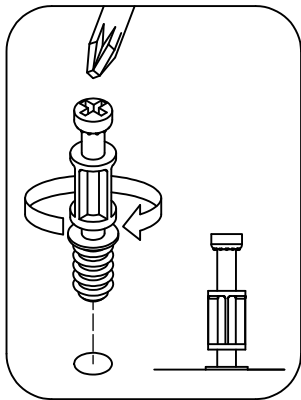
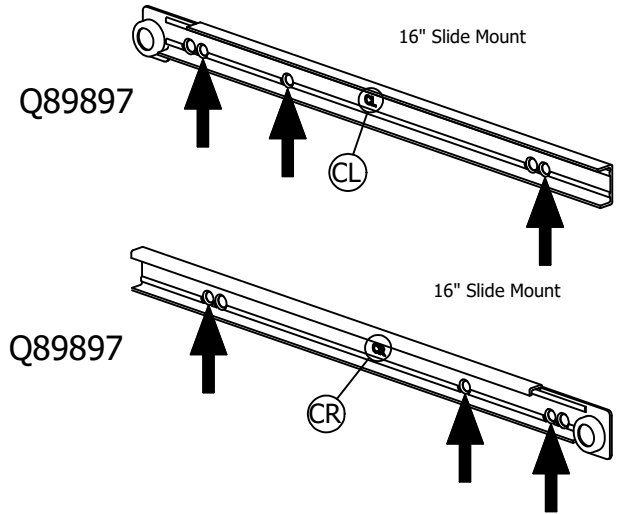
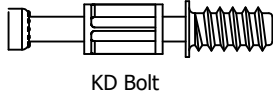
STEP 16

Prepare Panels

H28917 [6]
(Zinc) #6 x 1/2"



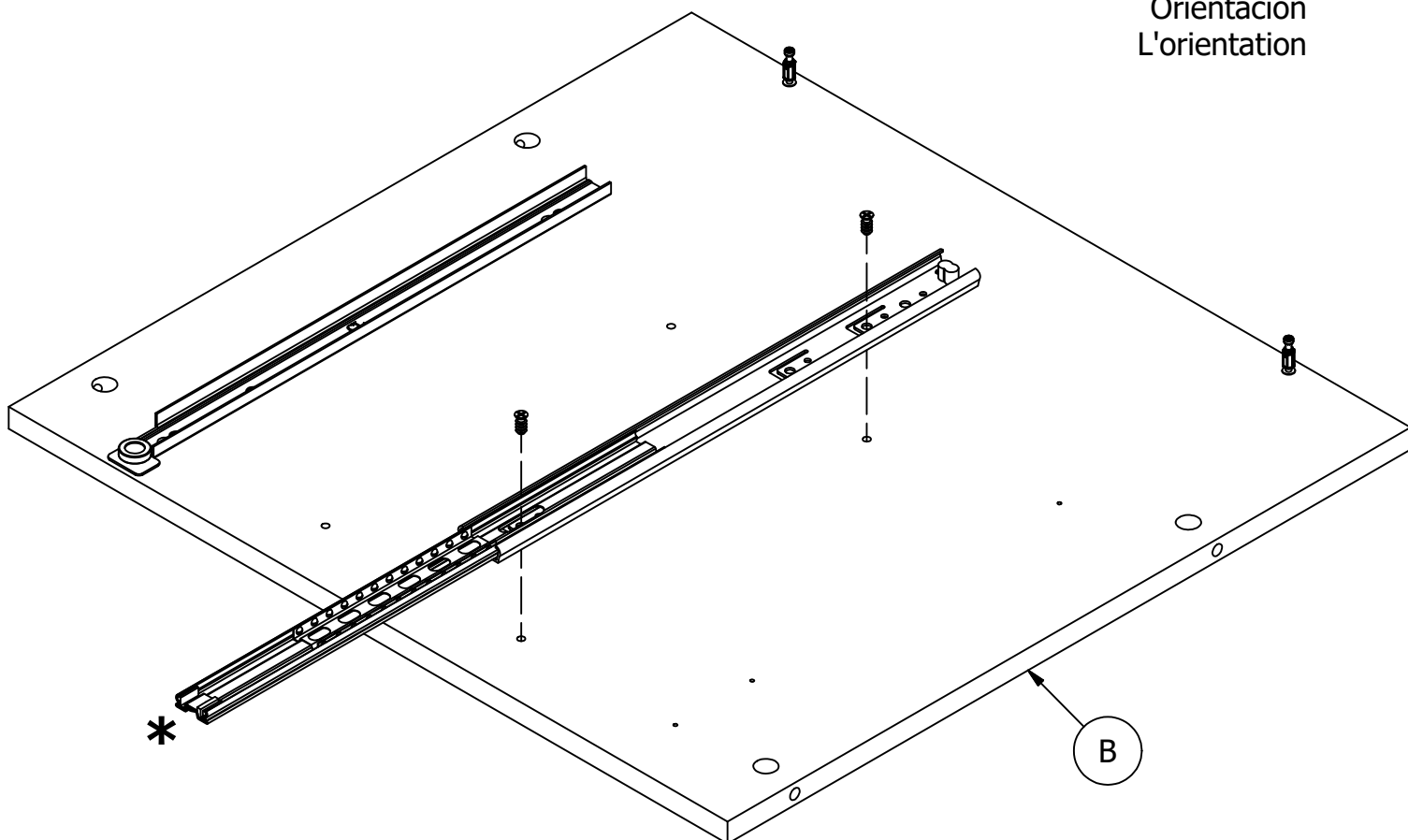
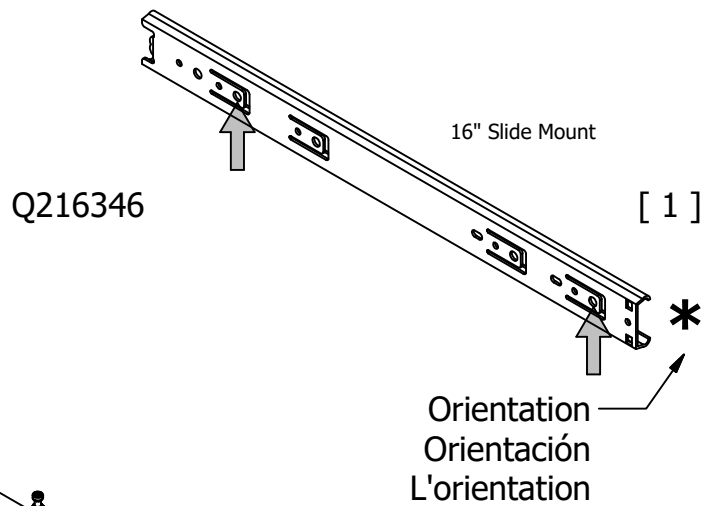
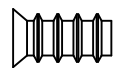
H72988 [4]
KD Bolt



STEP 17


Attach Hardware

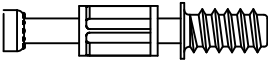
H195734 [2]
M6.3 X 13MM



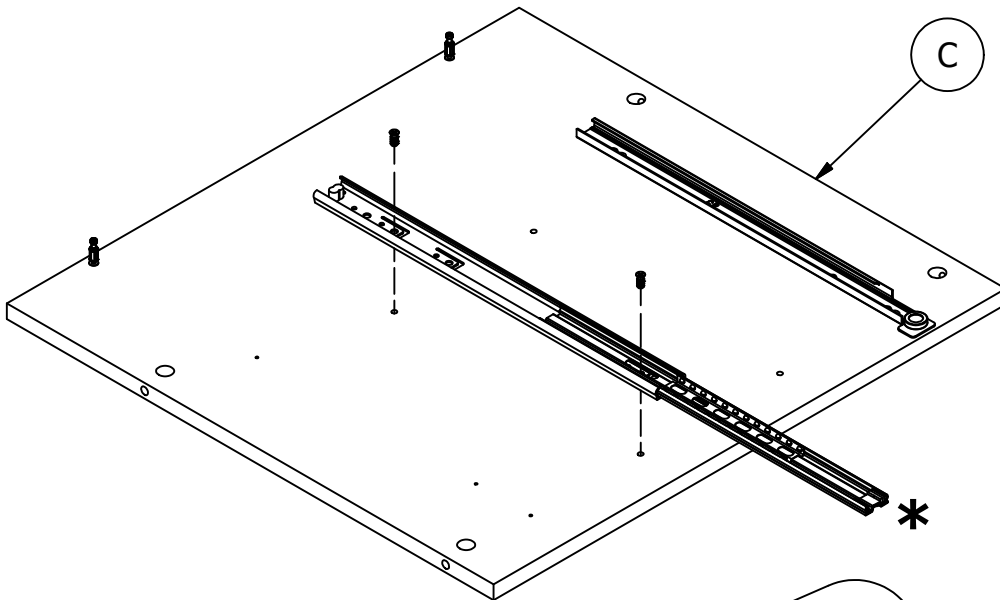
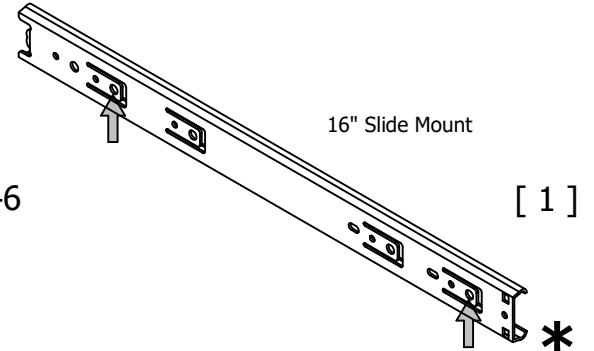
STEP 18

Attach Hardware

H195734  [2]
M6.3 X 13MM

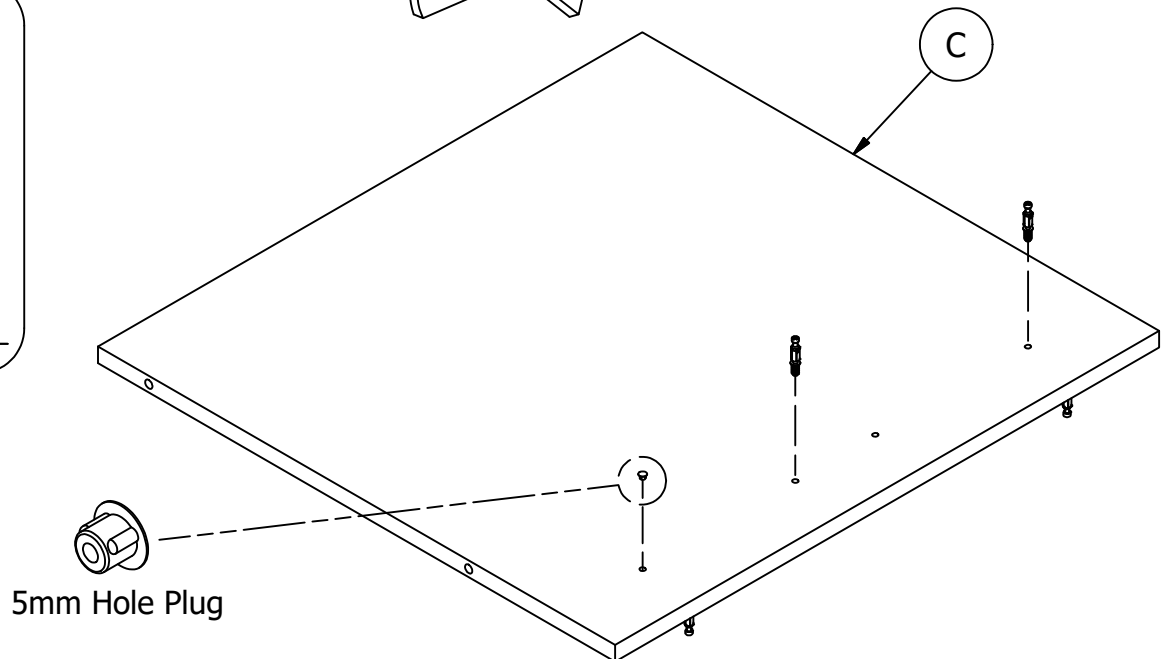
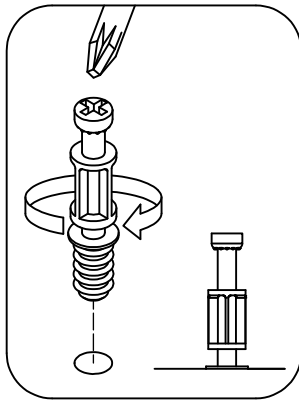
H72988  [2]
KD Bolt

Q216346



 [1]
5mm Hole Plug

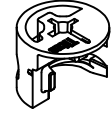
Flip panel over
Voltear el panel
Retournez le panneau



STEP 19

Assemble Panels

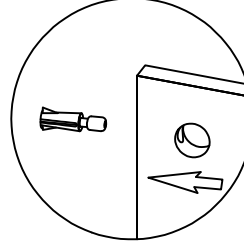
H181468US



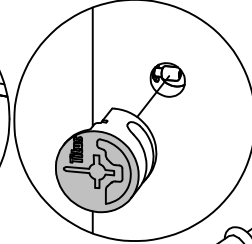
KD Cam3000

[4]

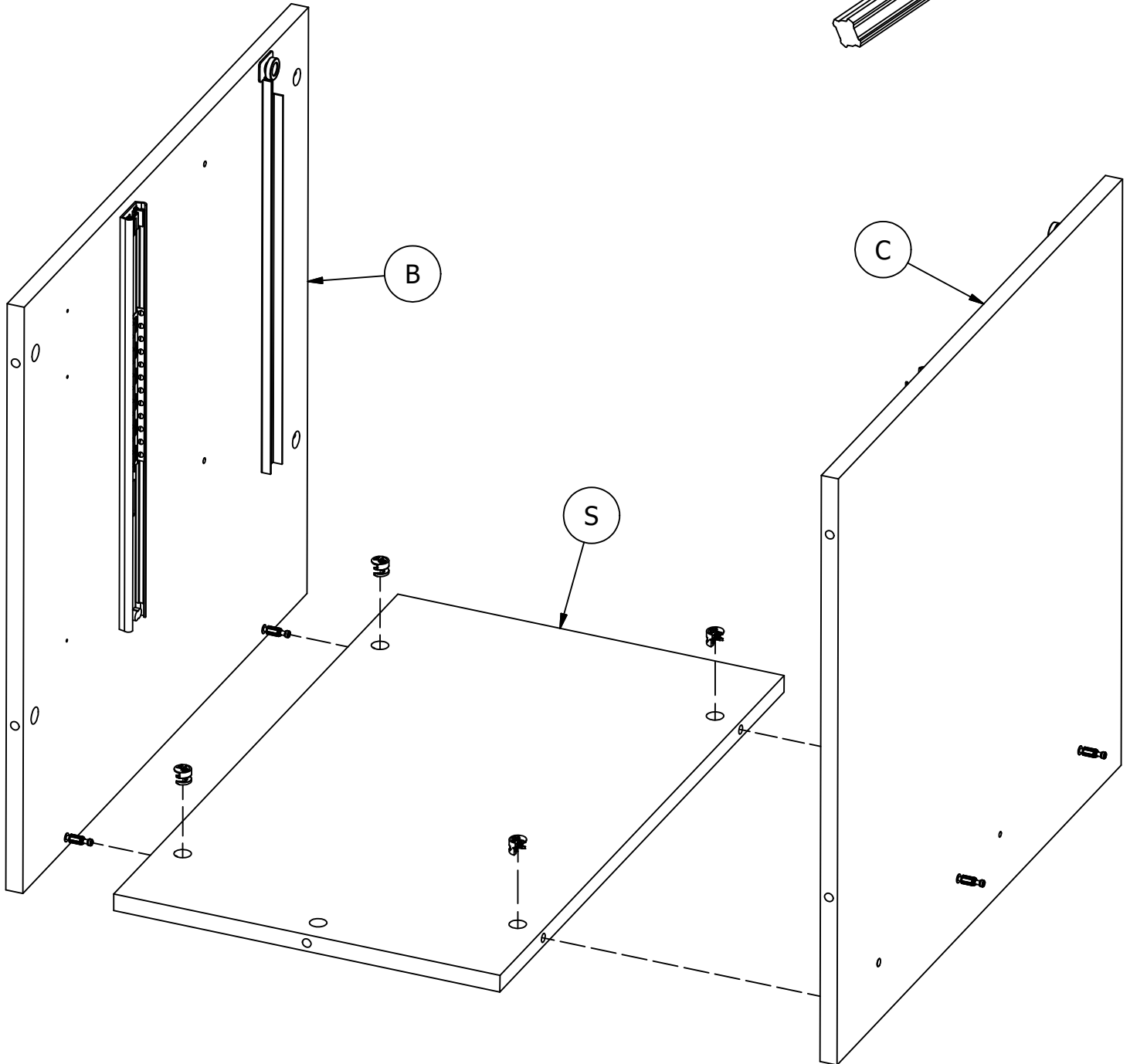
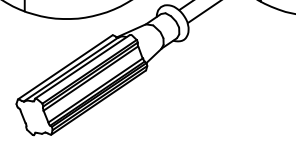
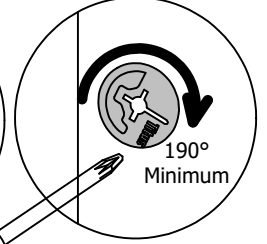
1



2



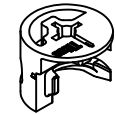
3



STEP 20

Assemble Panels

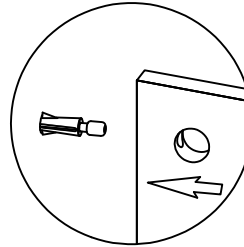
H181468US



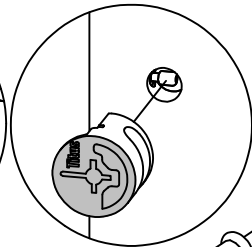
KD Cam3000

[5]

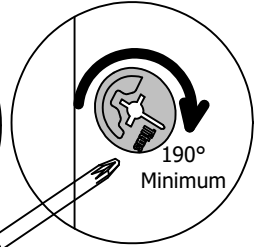
1



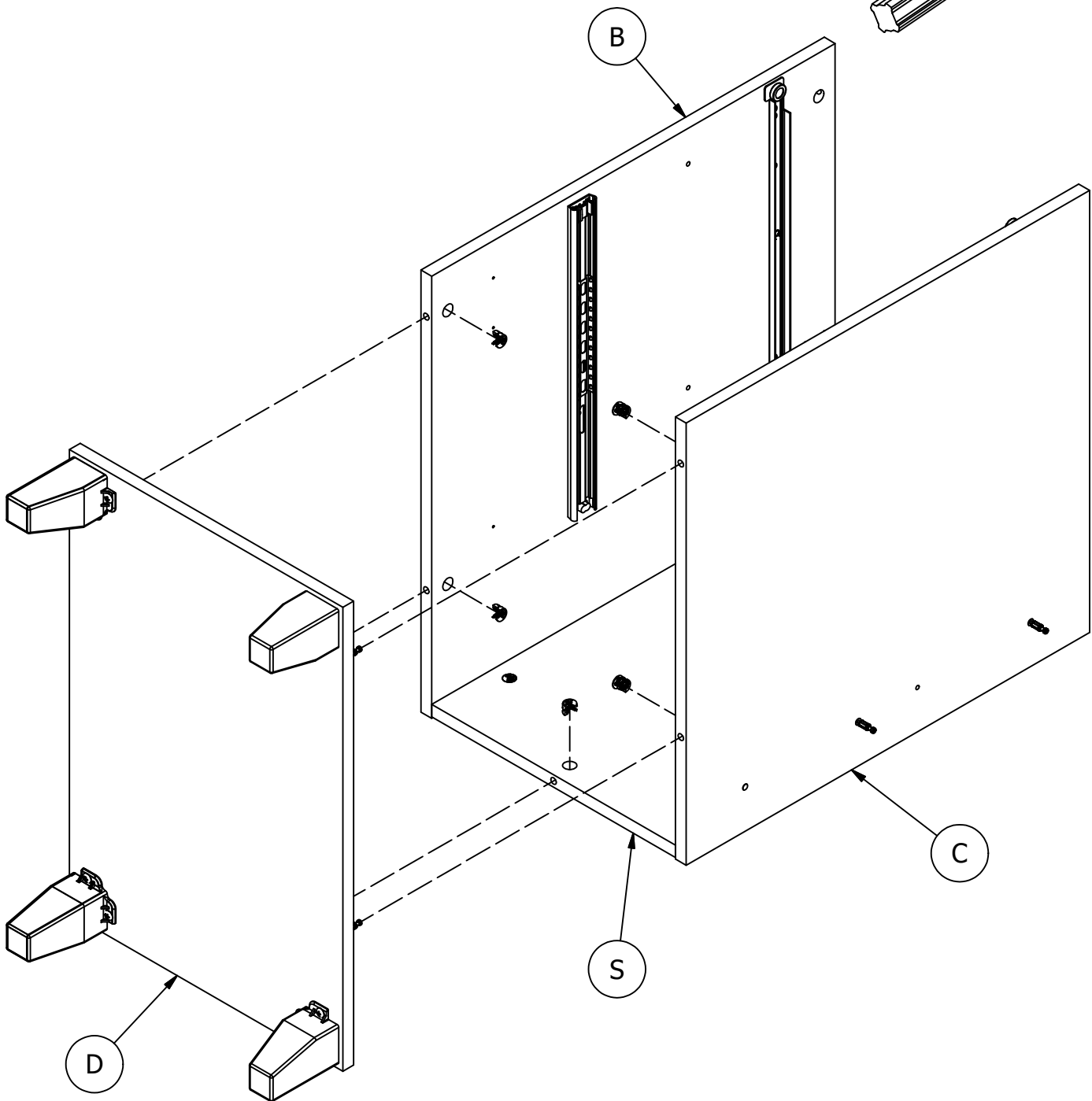
2



3



190°
Minimum



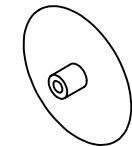
STEP 21

Assemble Panels

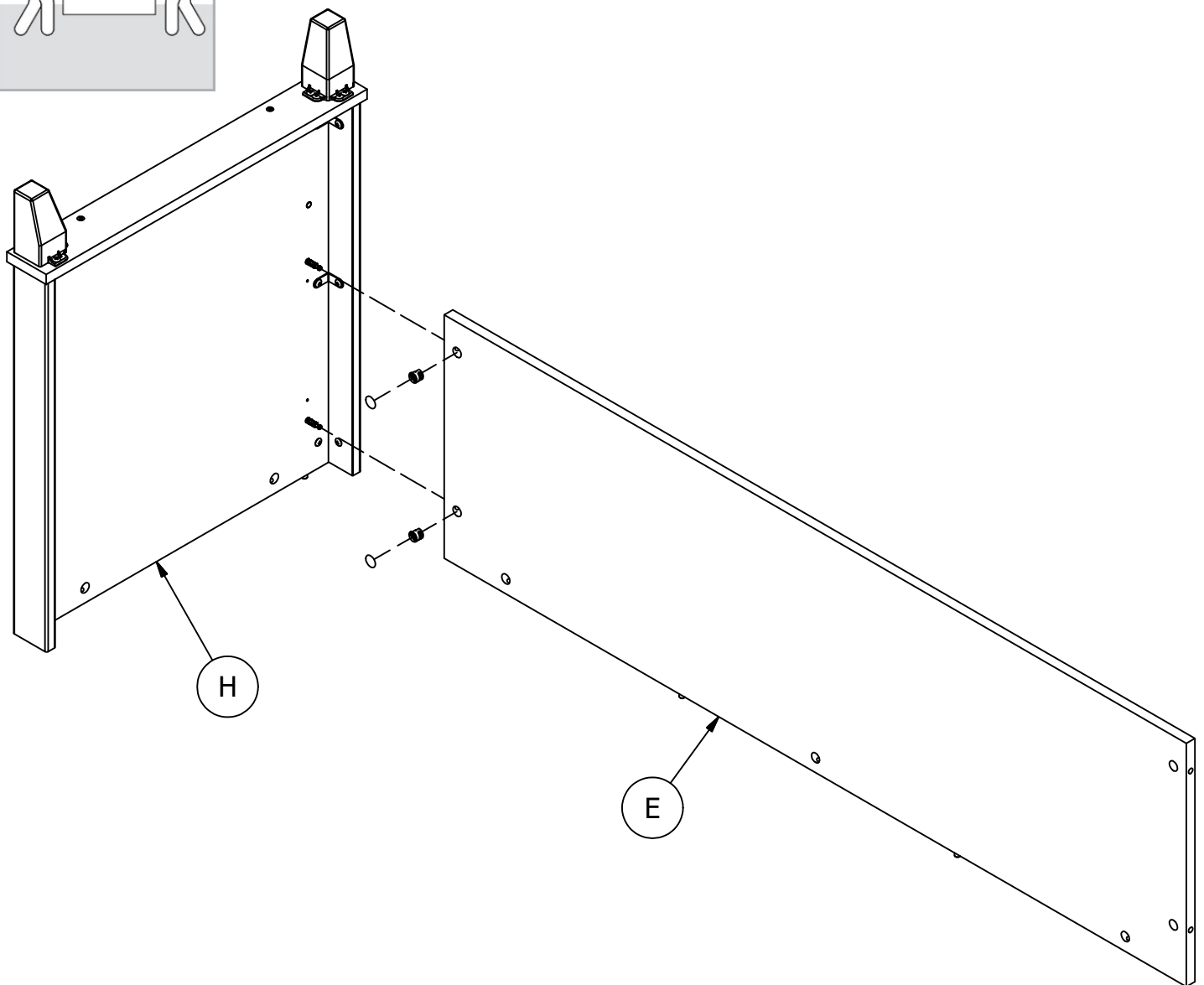
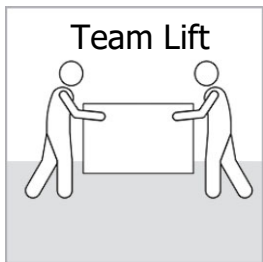
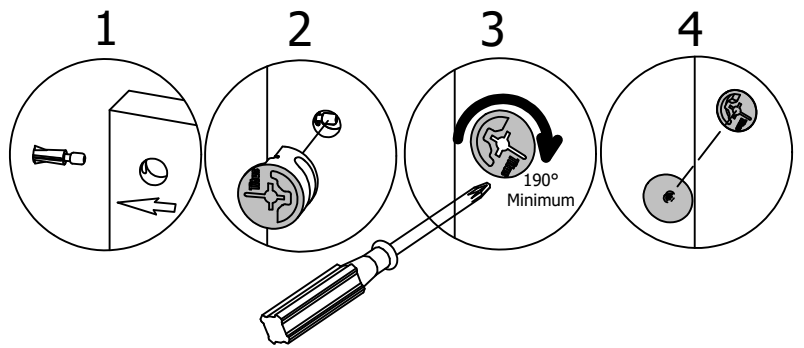
H181468US



[2]



[2]



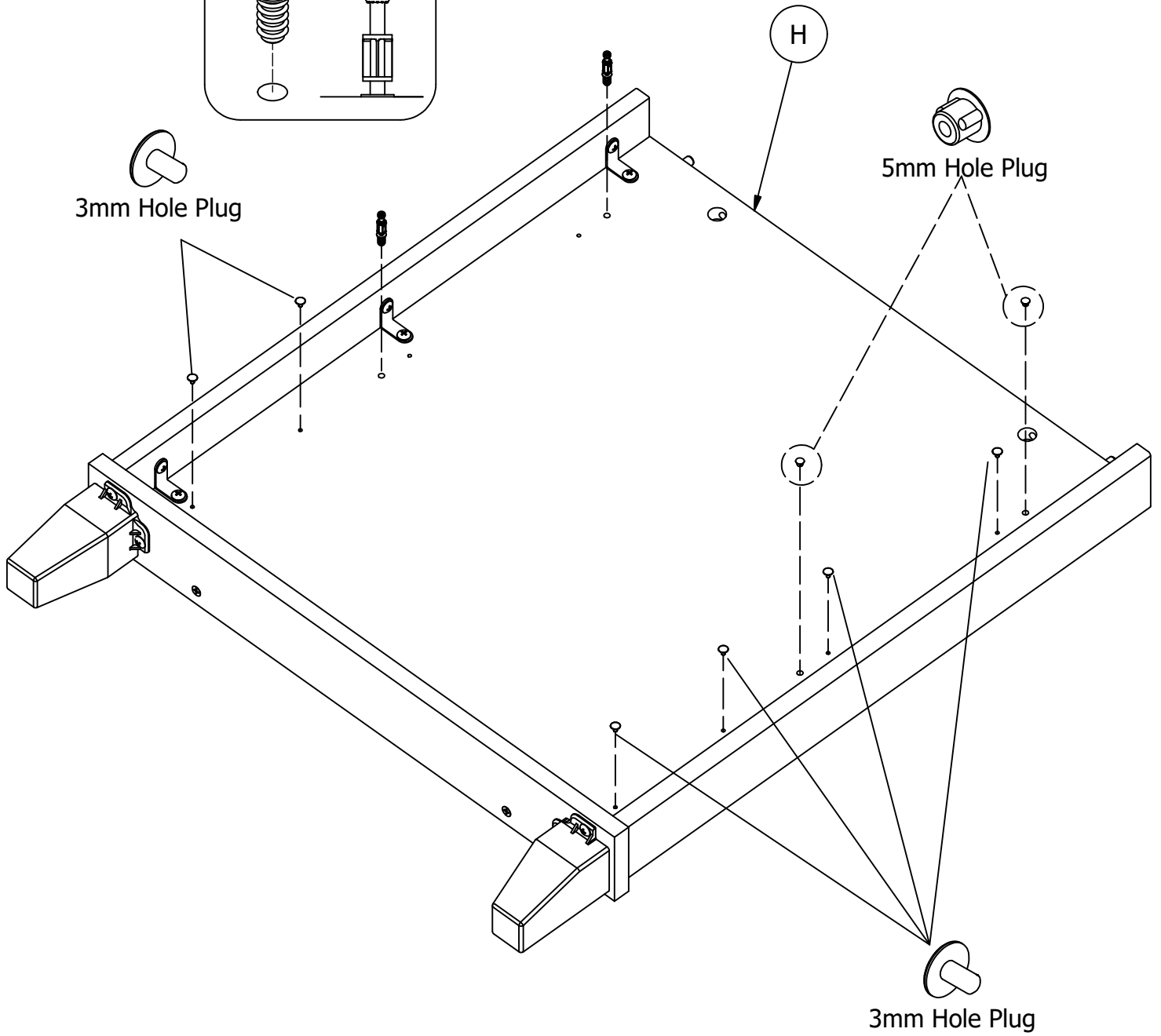
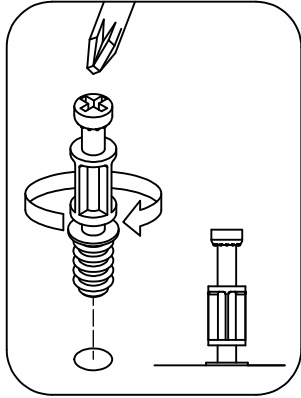
STEP 22

Attach Hardware

H72988 [2]
KD Bolt

[2]
5mm Hole Plug

[6]
3mm Hole Plug



STEP 23

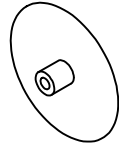
Assemble Panels

H181468US



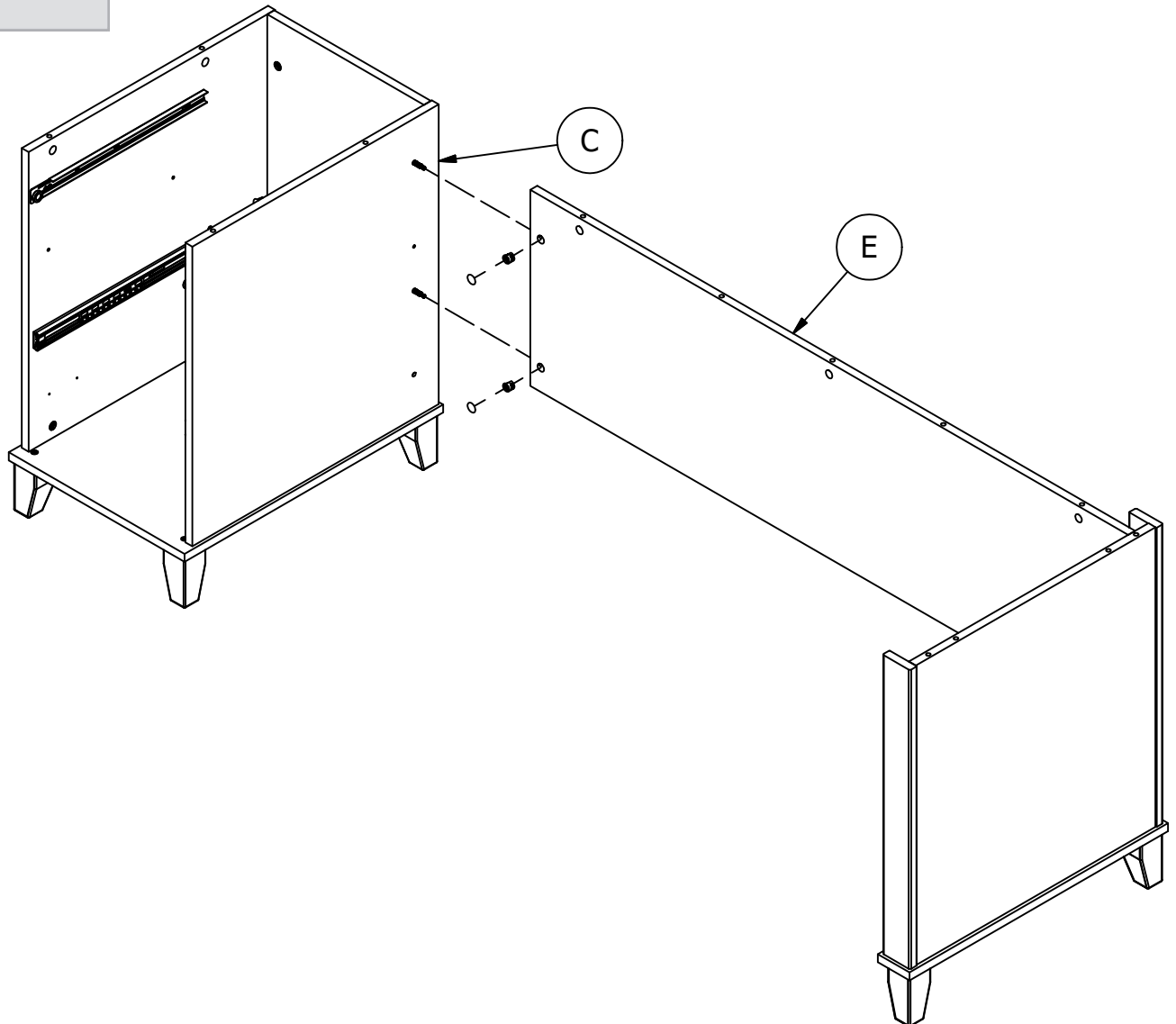
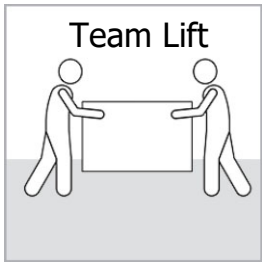
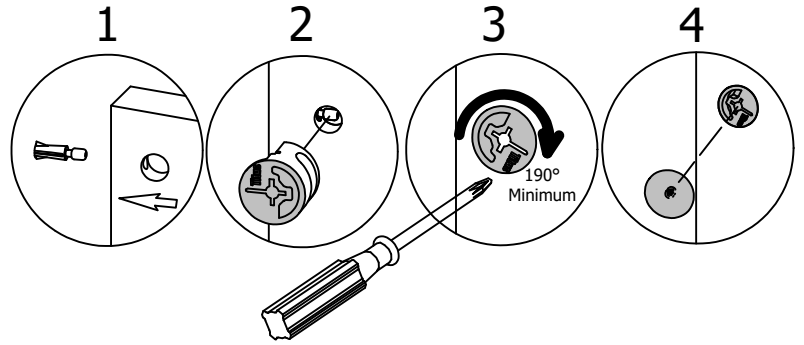
KD Cam3000

[2]



[2]

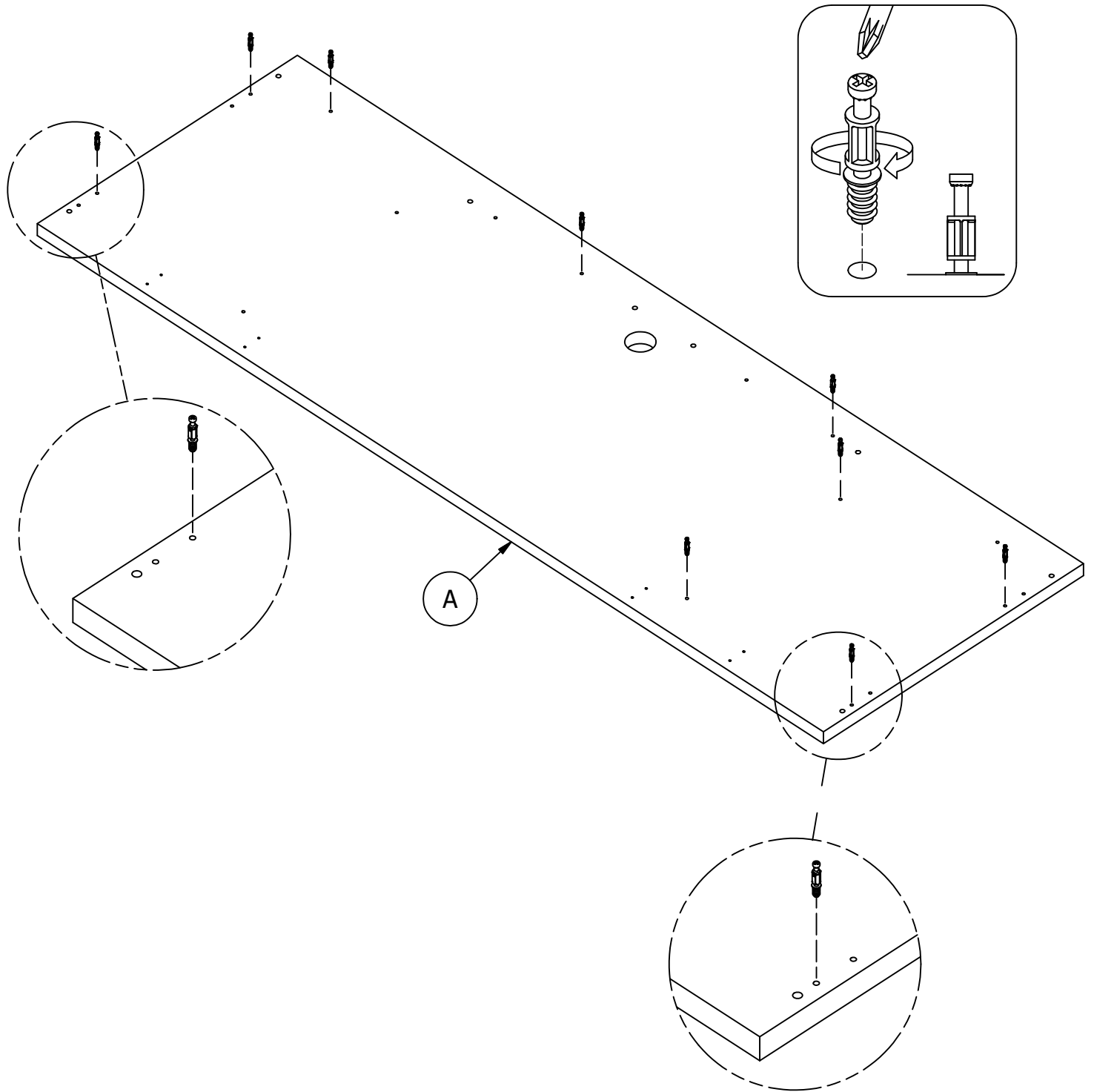
Cover Cap



STEP 24

Prepare Panel

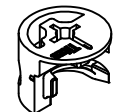
H72988 [9]
KD Bolt



STEP 25

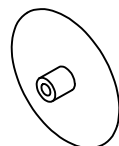
Assemble Panels

H181468US



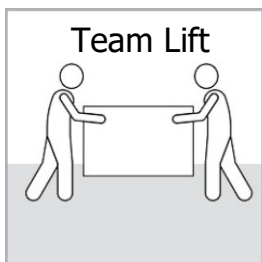
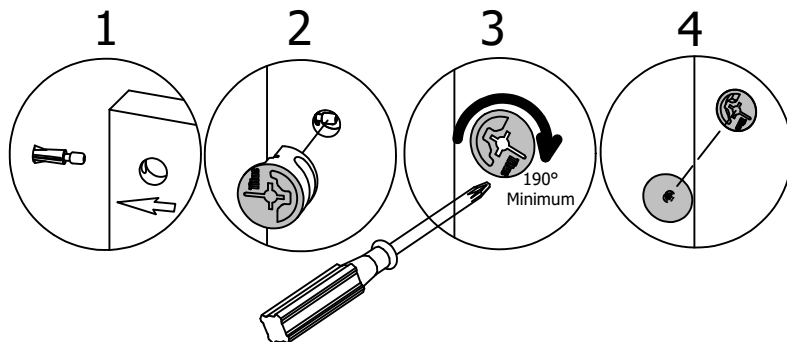
KD Cam3000

[9]

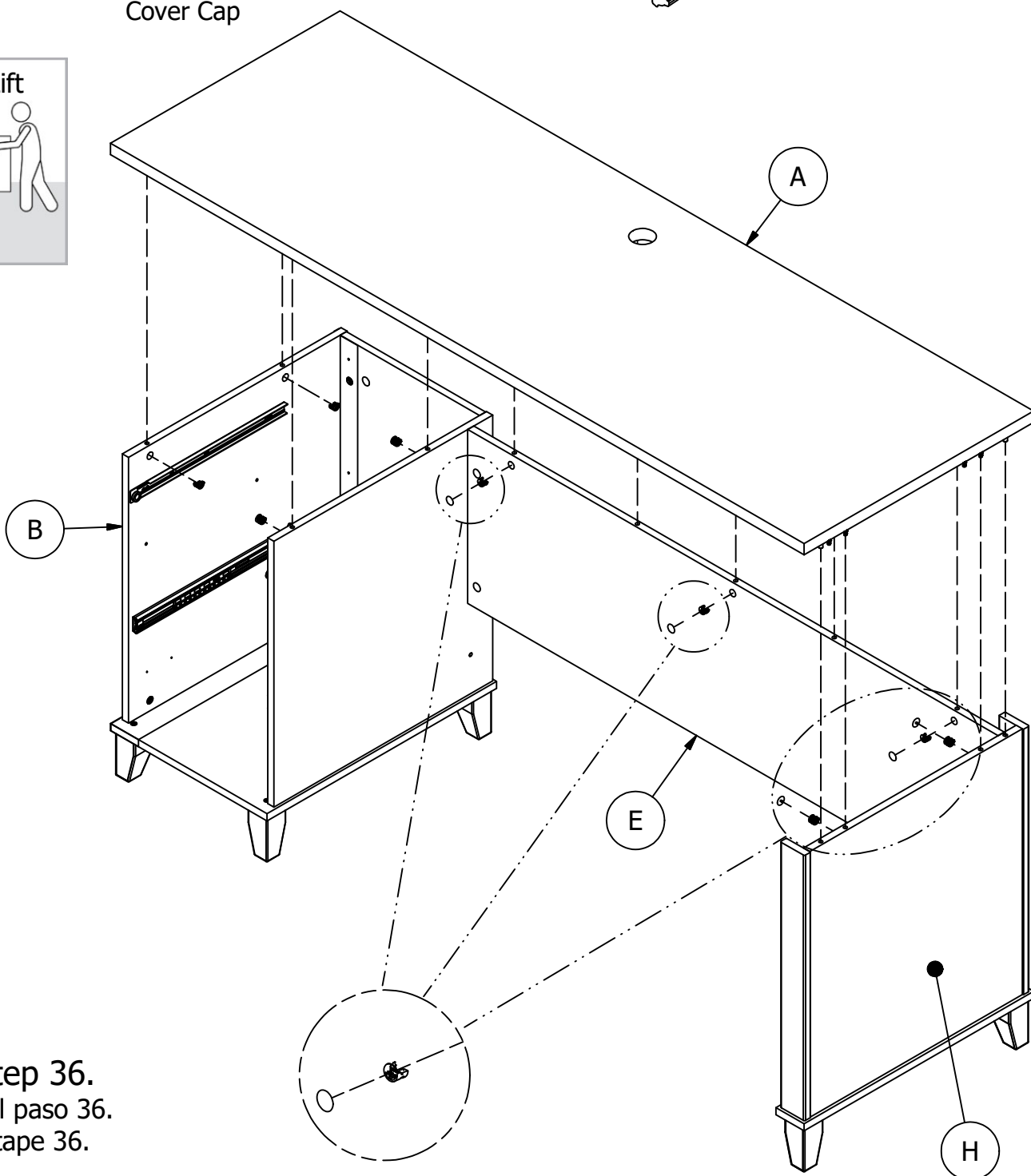


[5]

Cover Cap



Team Lift

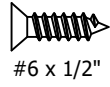


Go to Step 36.
Proceda al paso 36.
Allez à l'étape 36.

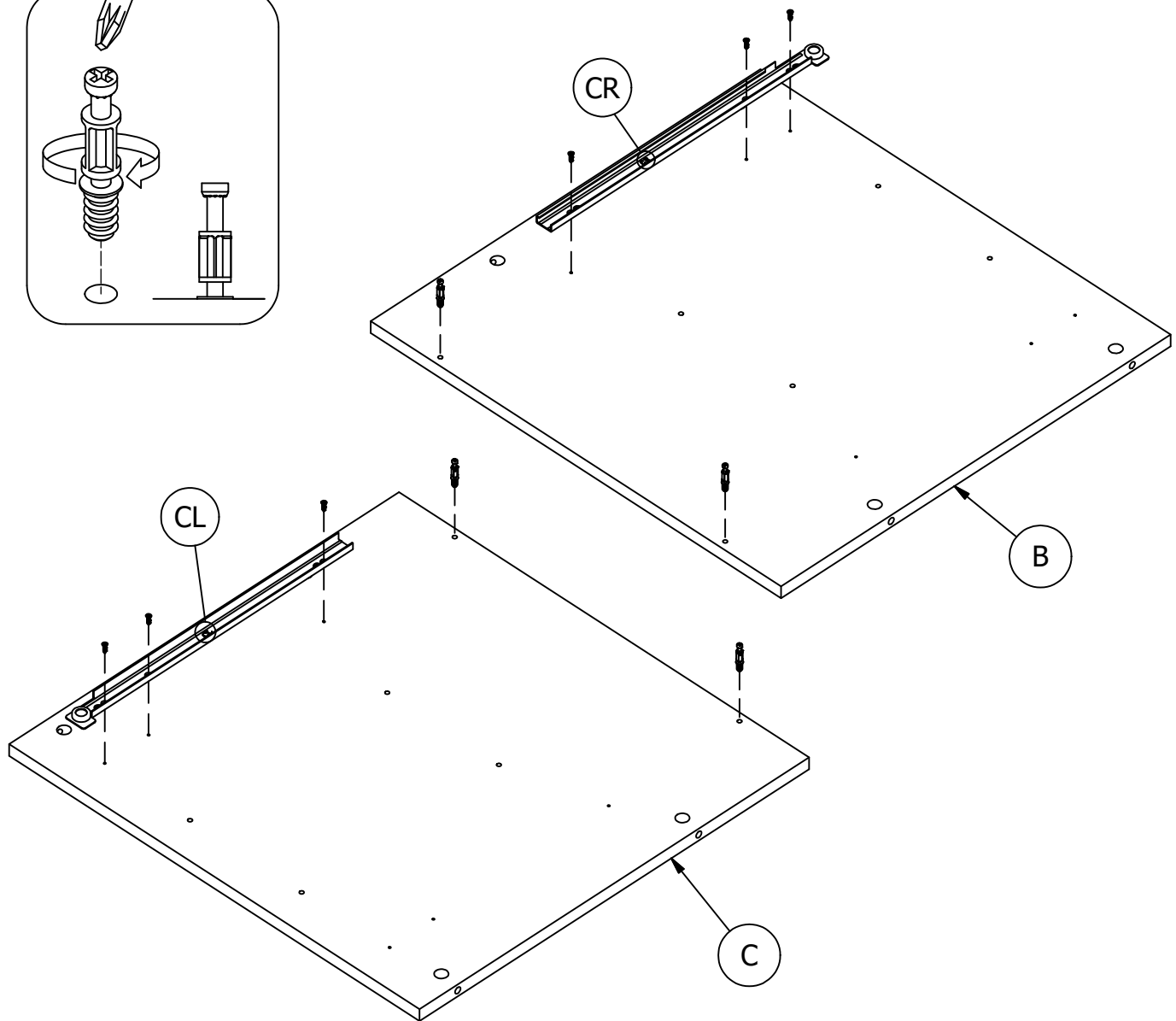
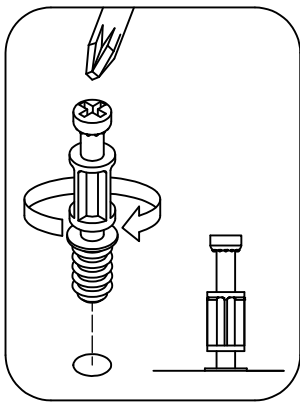
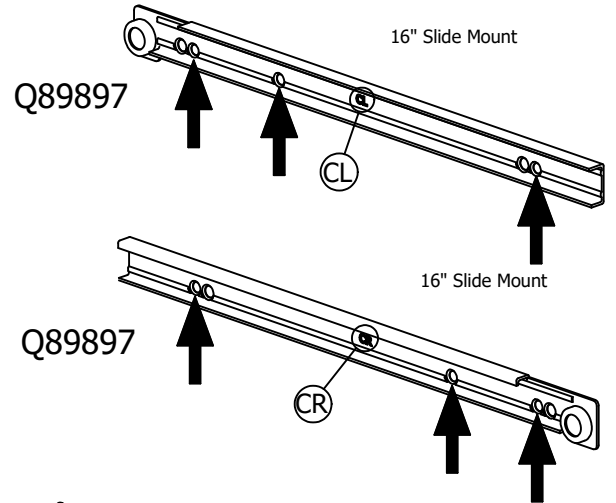
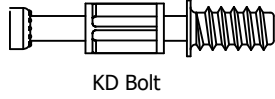
STEP 26

Prepare Panels

H28917 [6]
(Zinc) #6 x 1/2"



H72988 [4]
KD Bolt



STEP 27

Attach Hardware

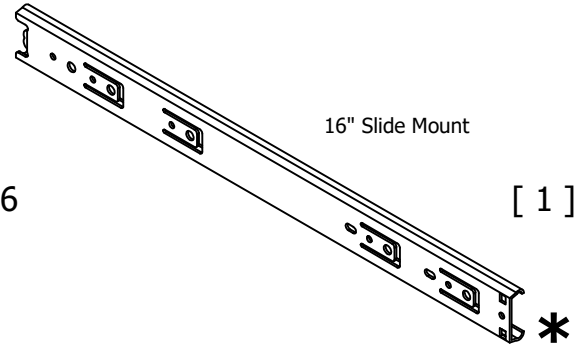
H195734



M6.3 X 13MM

[2]

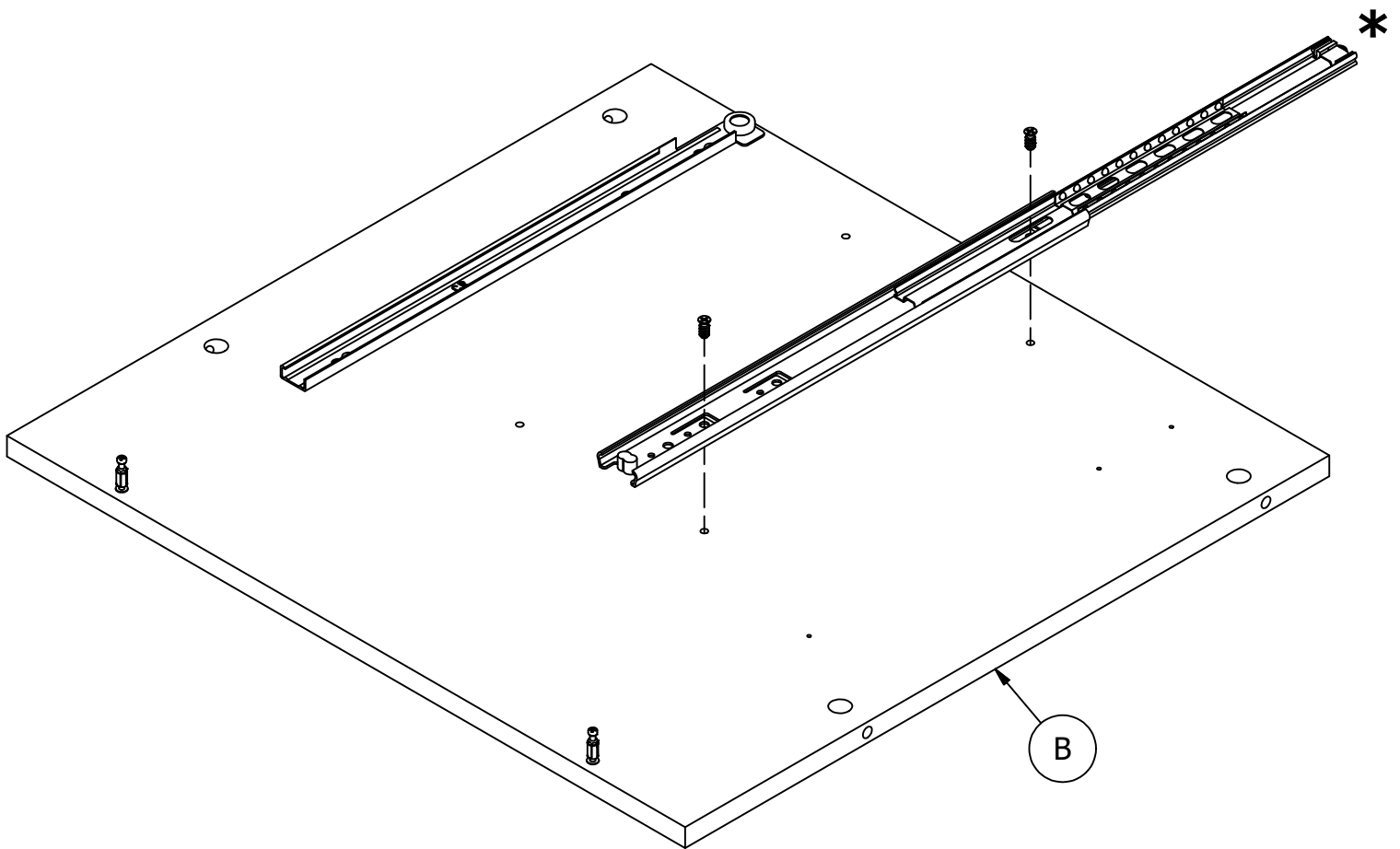
Q216346



16" Slide Mount

[1]


Orientation
Orientación
L'orientation



STEP 28

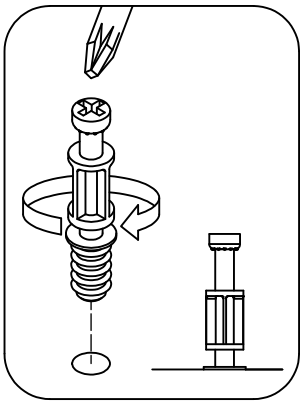
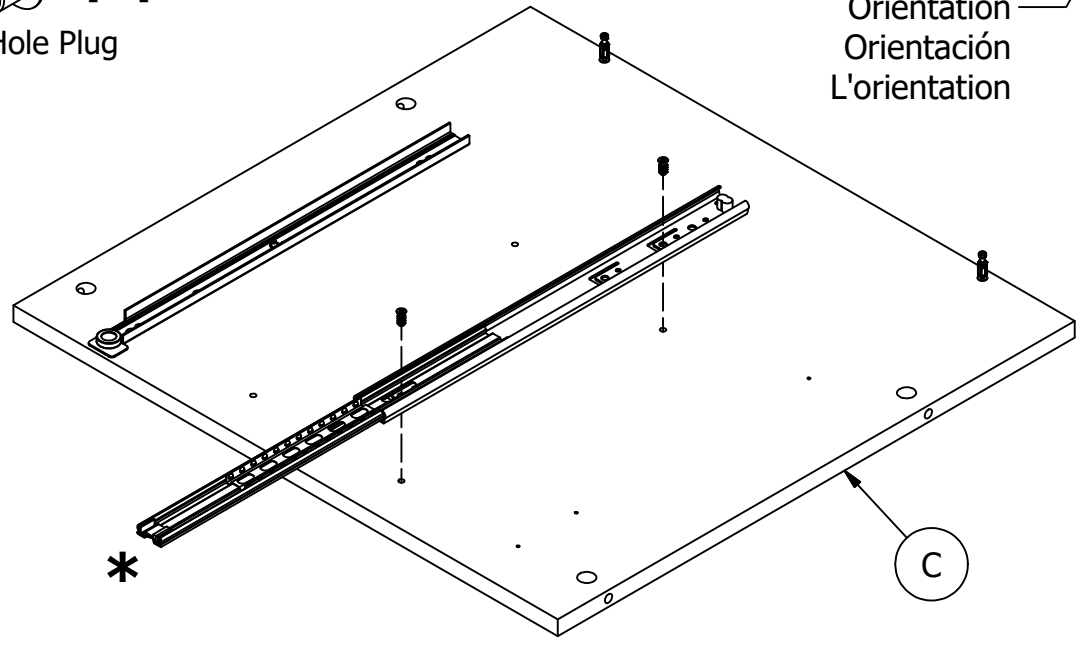
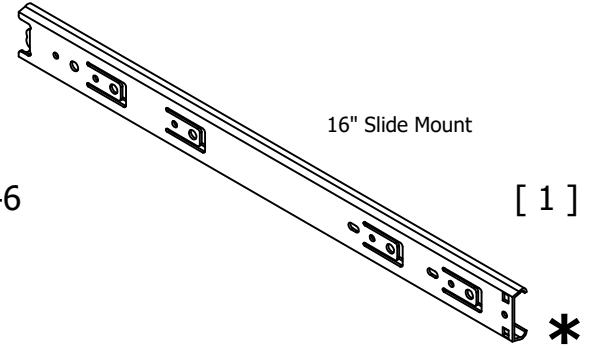
Attach Hardware

H195734  [2]
M6.3 X 13MM

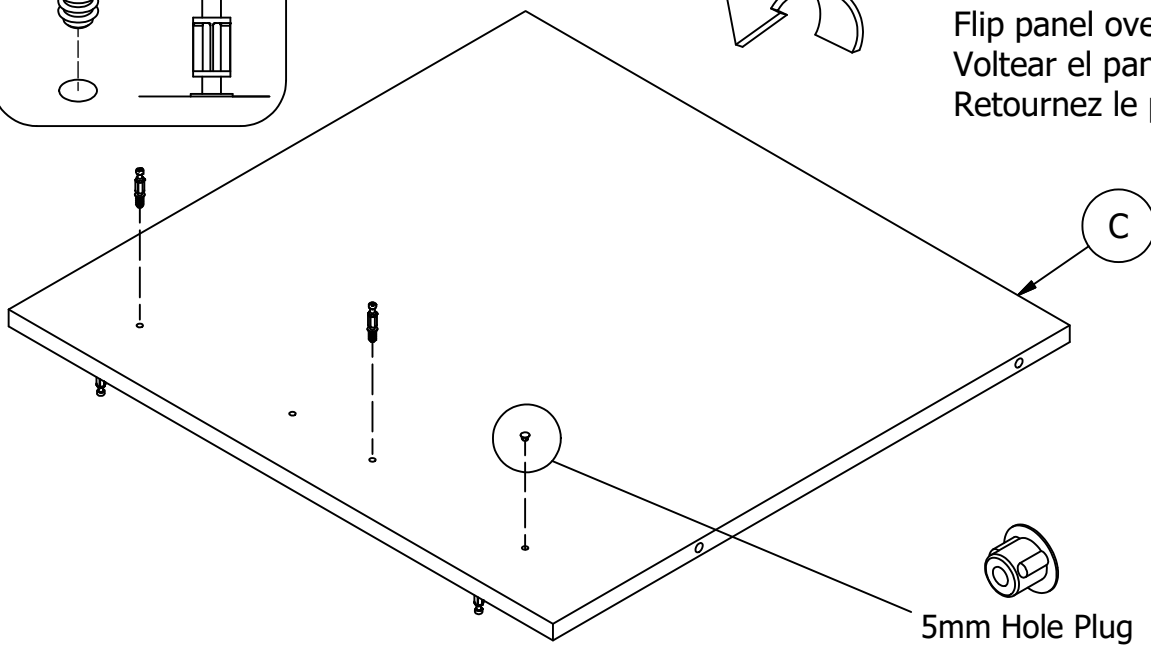
H72988  [2]
KD Bolt

 [1]
5mm Hole Plug

Q216346 [1]



Flip panel over
Voltear el panel
Retournez le panneau



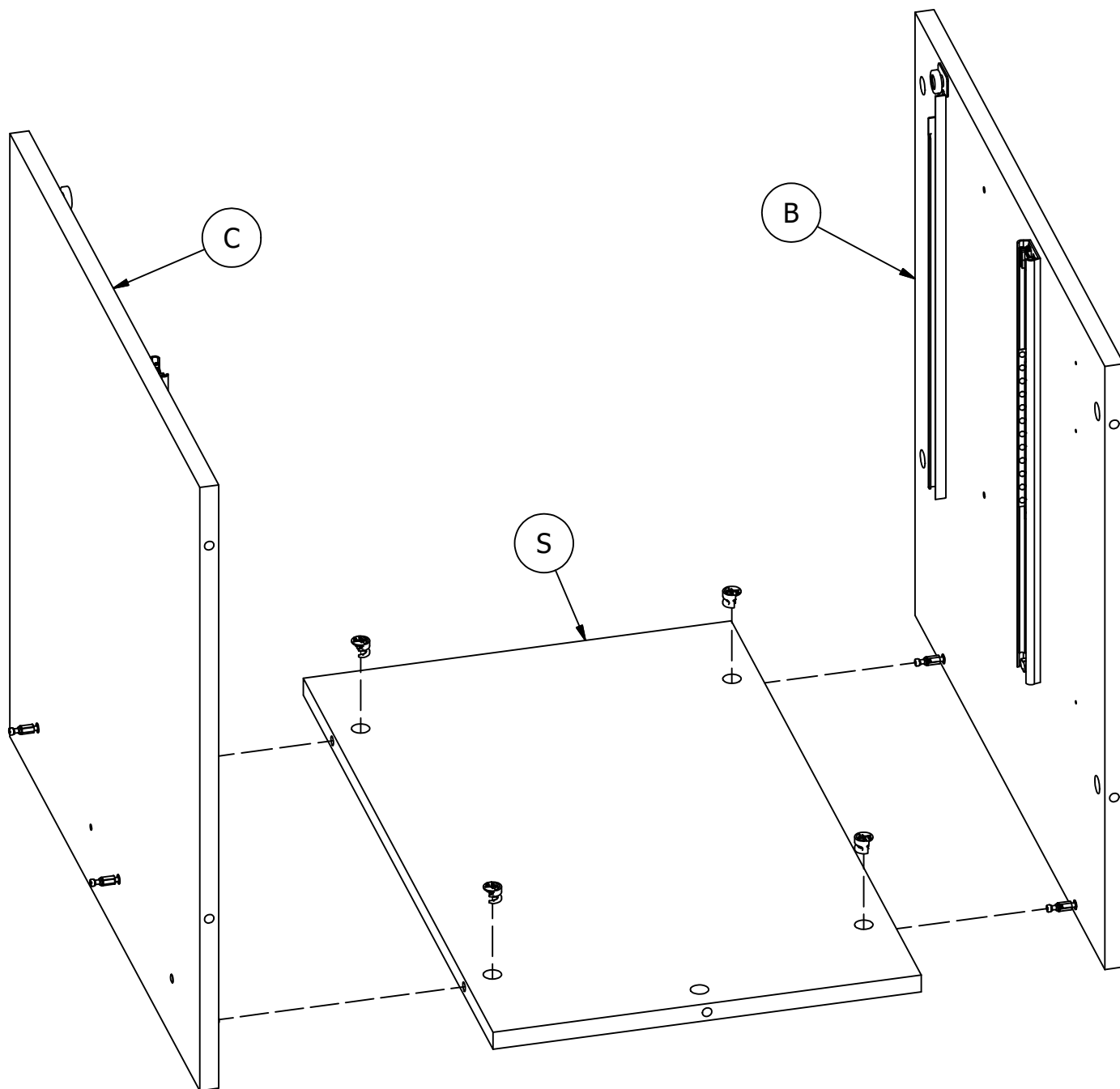
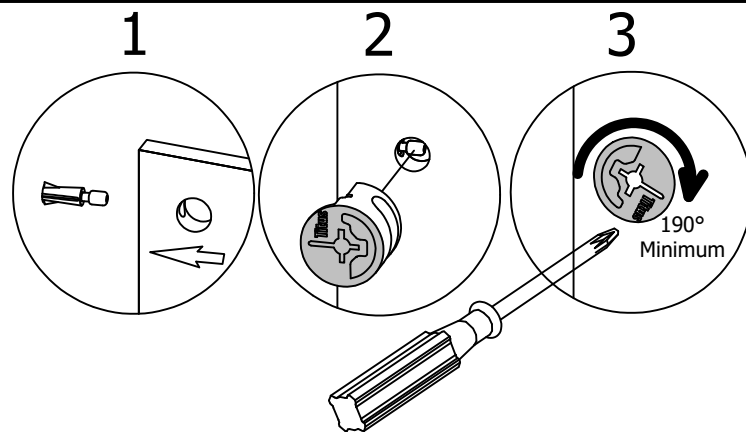
STEP 29

Assemble Panels

H181468US



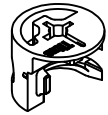
[4]



STEP 30

Assemble Panels

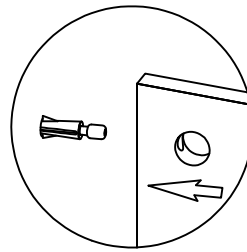
H181468US



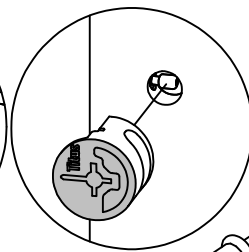
KD Cam3000

[5]

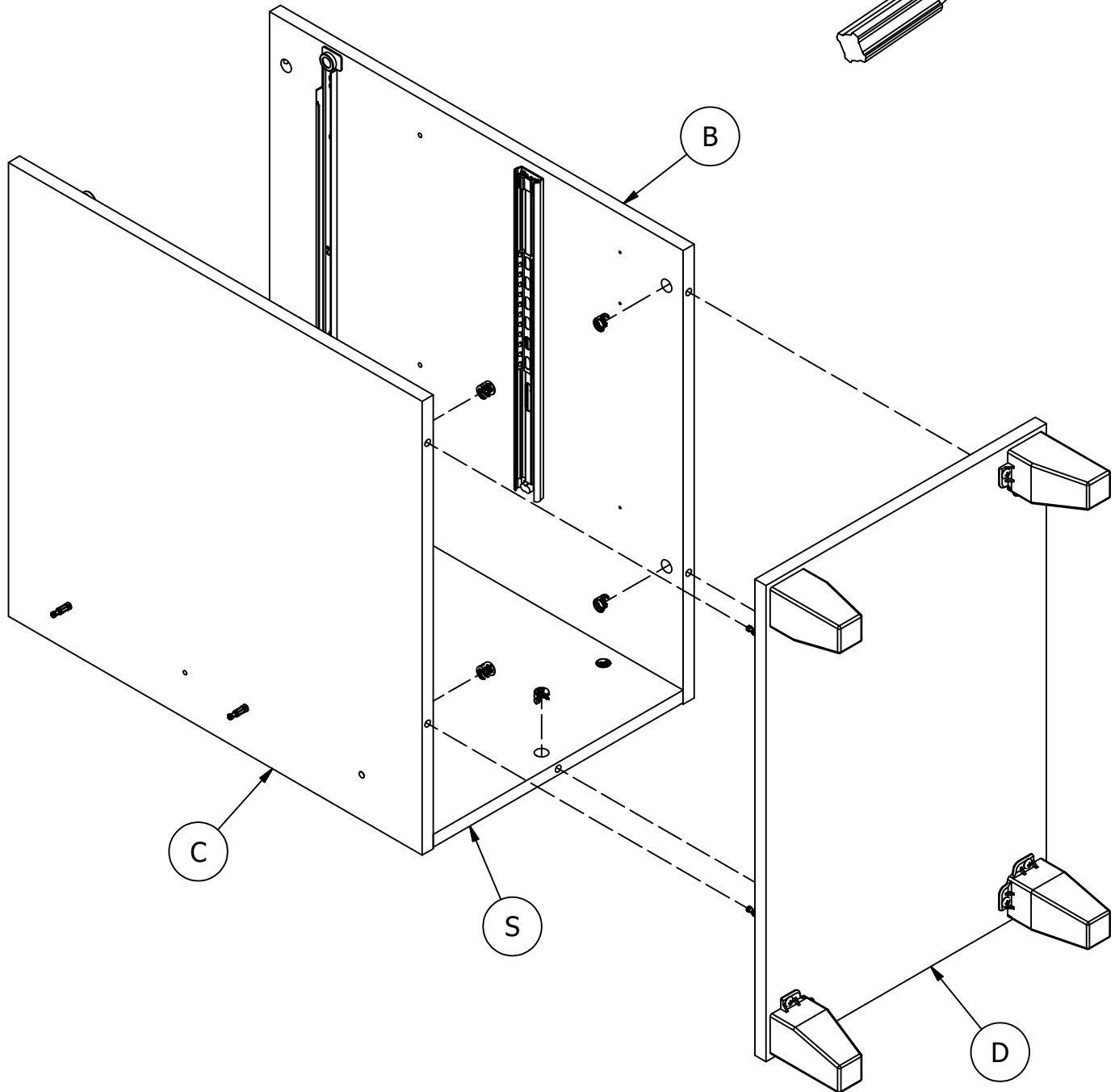
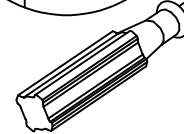
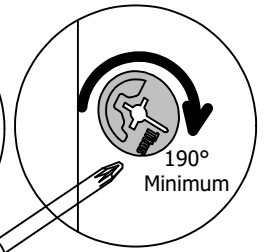
1



2



3



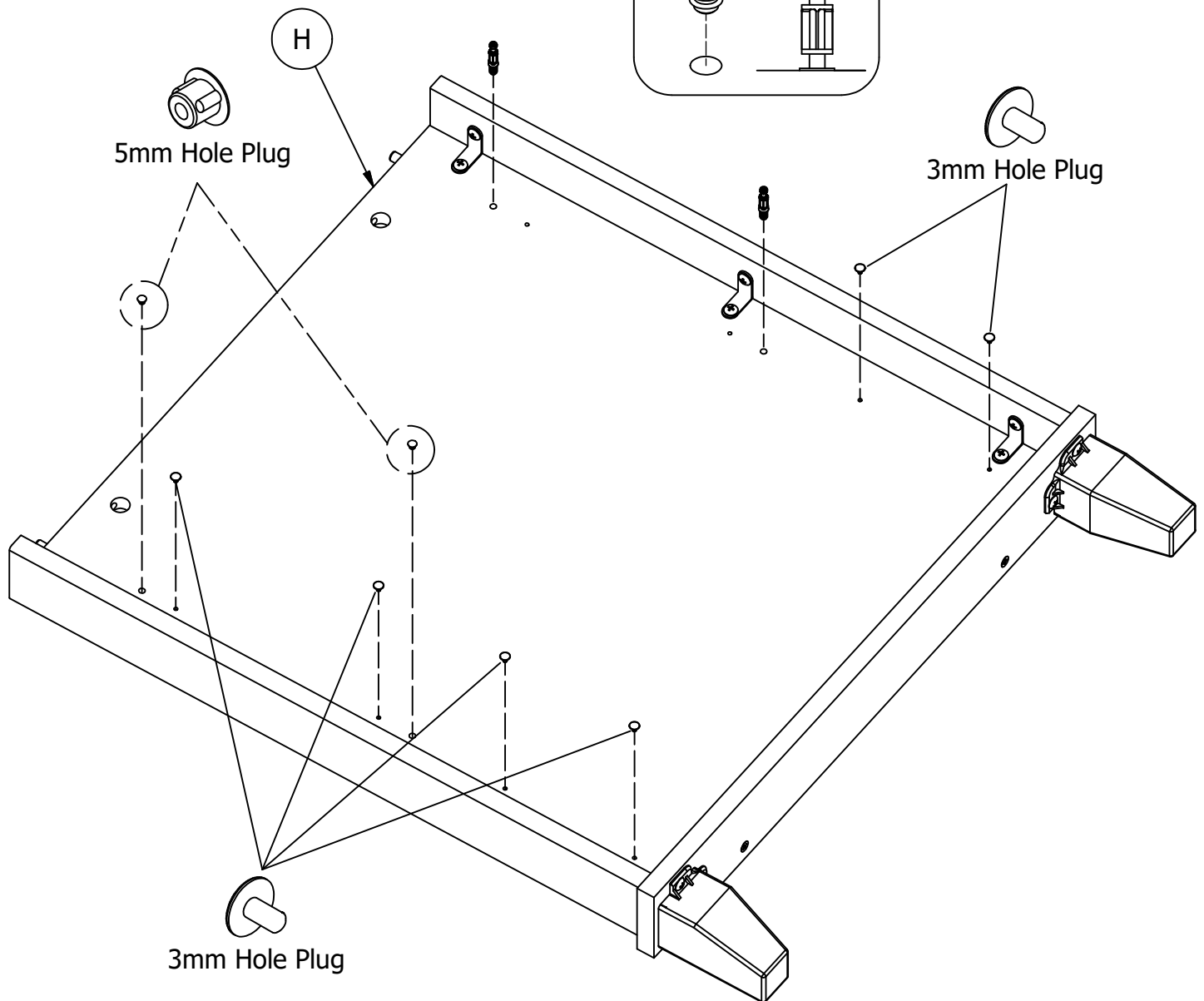
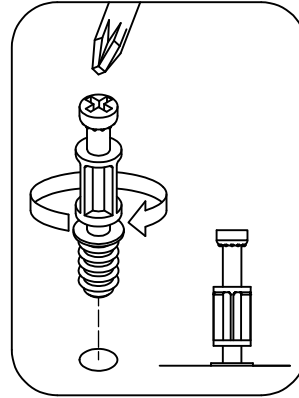
STEP 31

Attach Hardware

H72988 [2]
KD Bolt

[6]
3mm Hole Plug

[2]
5mm Hole Plug



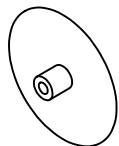
STEP 32

Assemble Panels

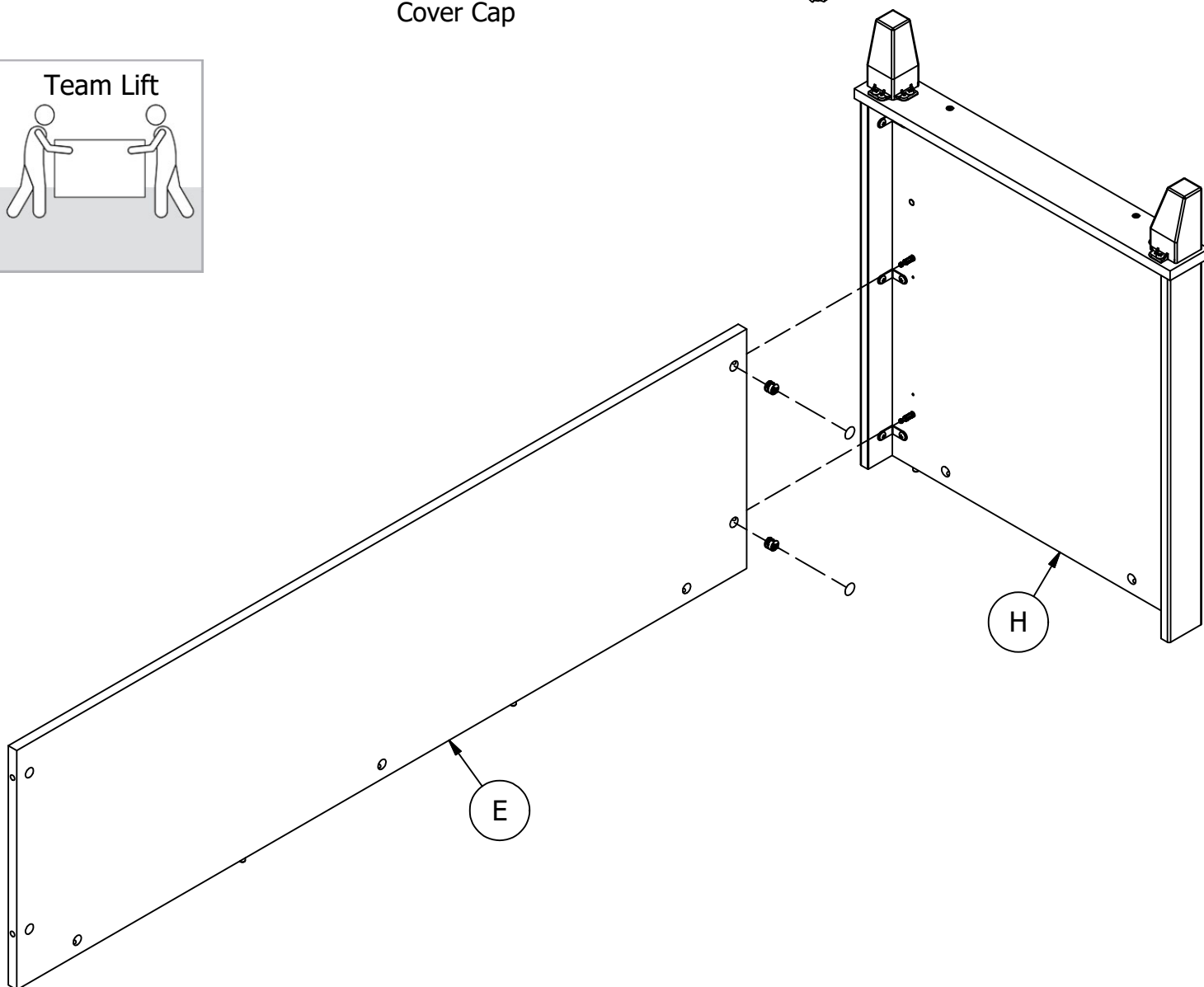
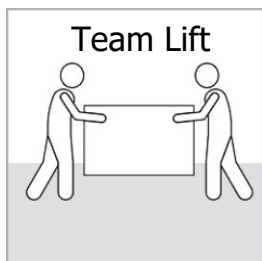
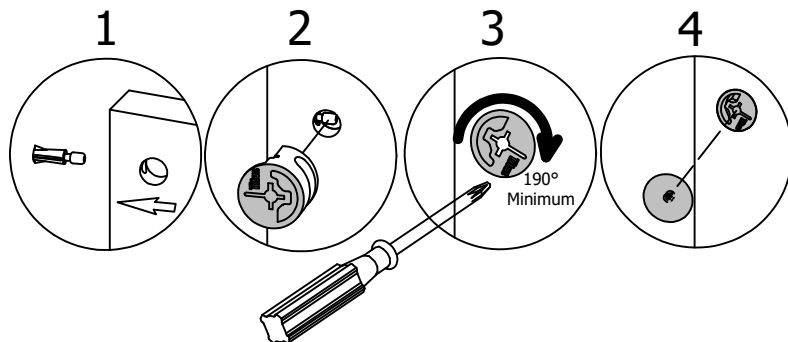
H181468US



[2]



[2]



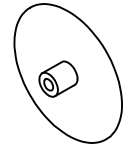
STEP 33

Assemble Panels

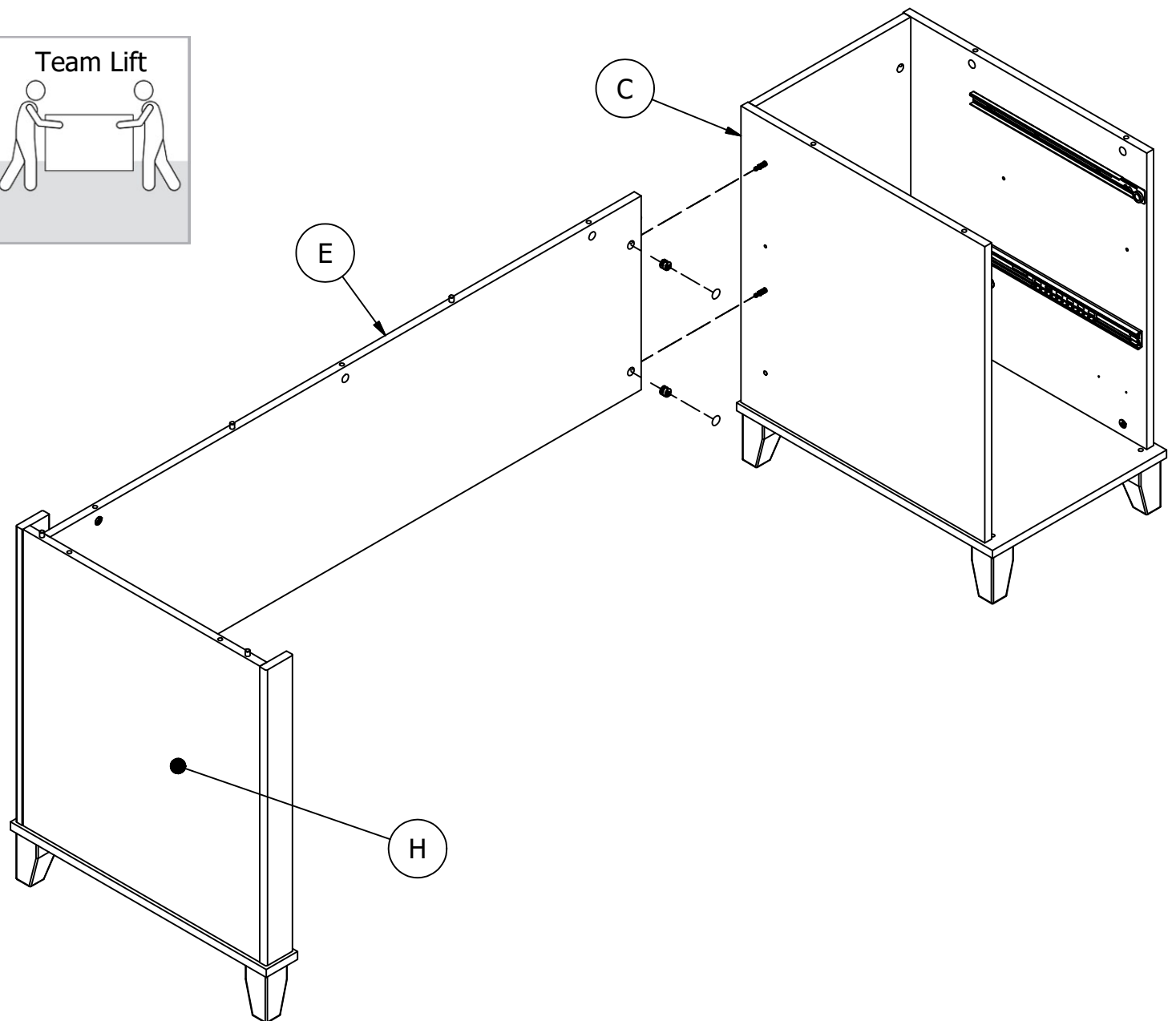
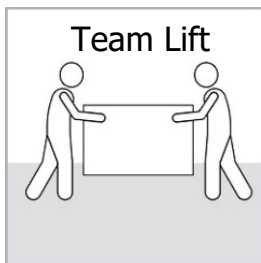
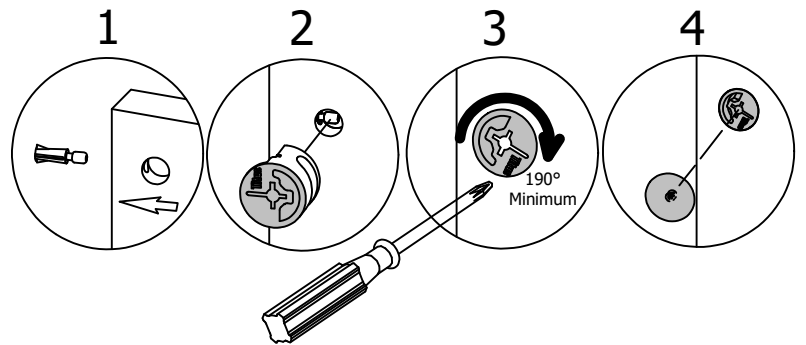
H181468US



[2]



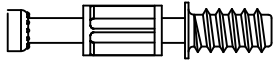
[2]



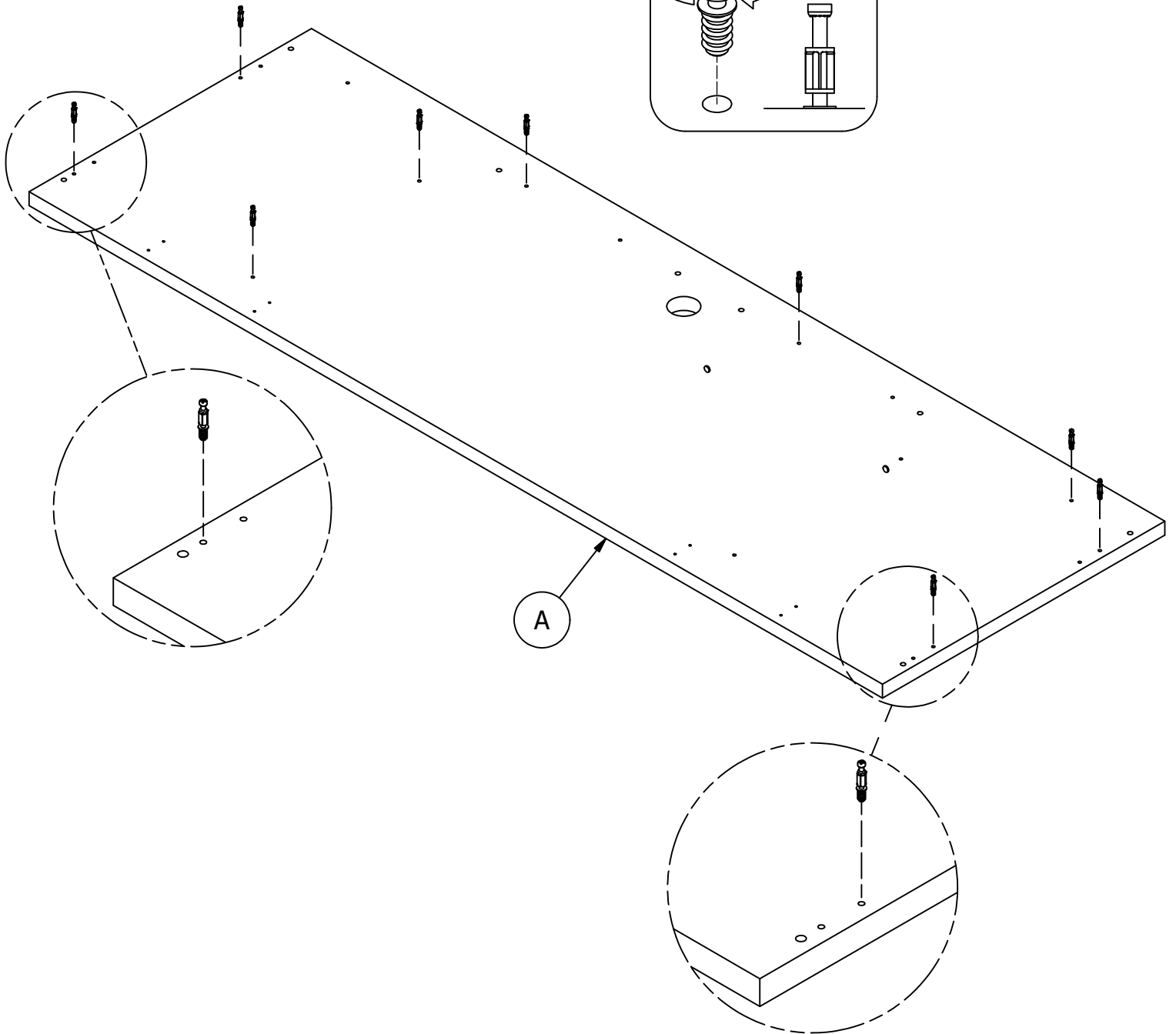
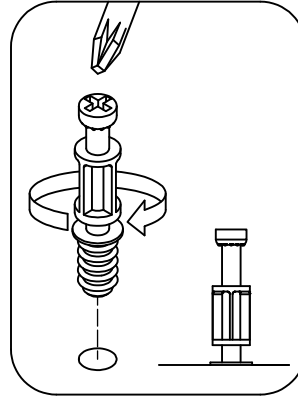
STEP 34

Prepare Panel

H72988 [9]



KD Bolt



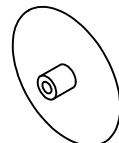
STEP 35

Assemble Panels

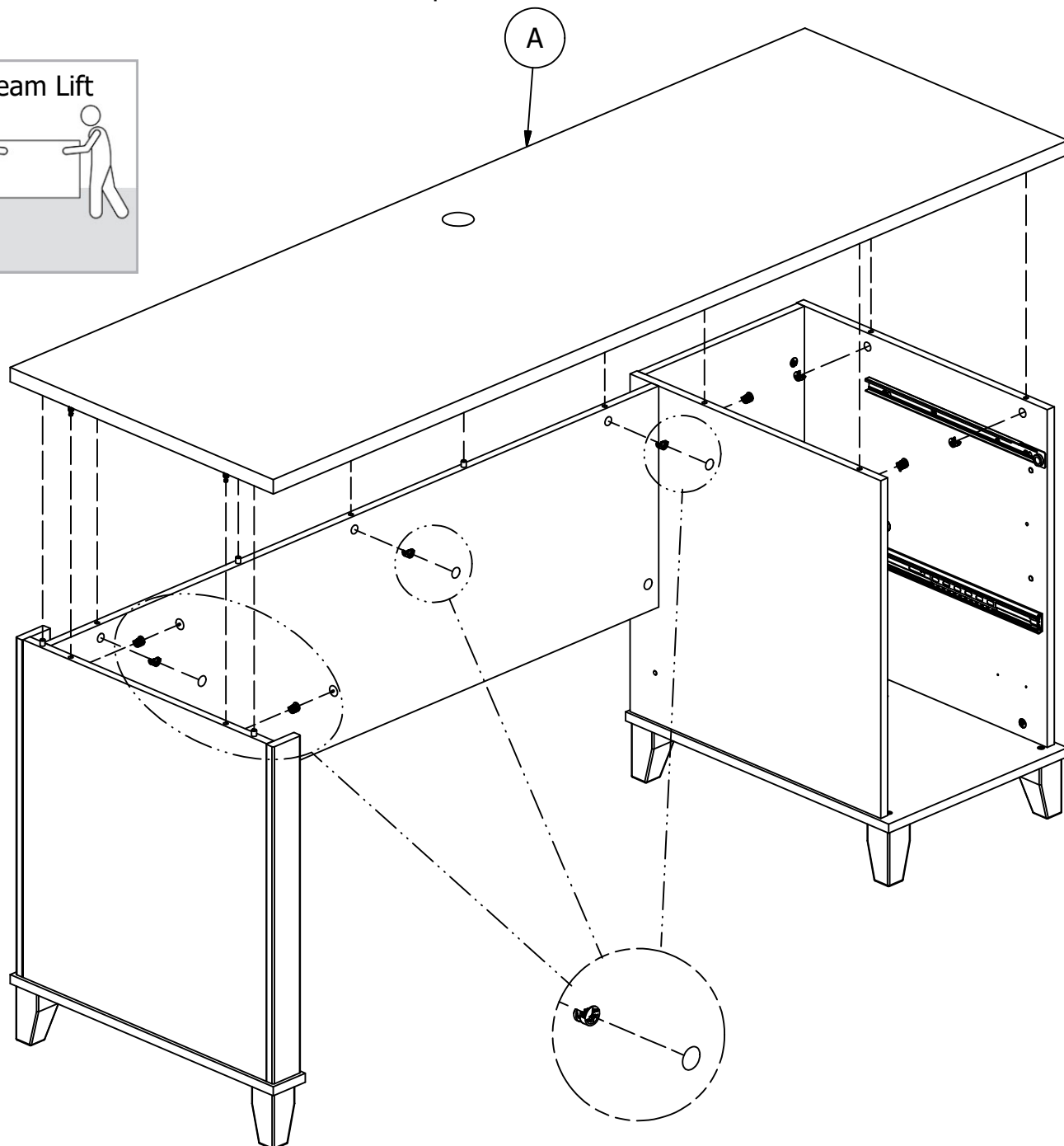
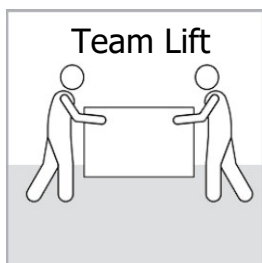
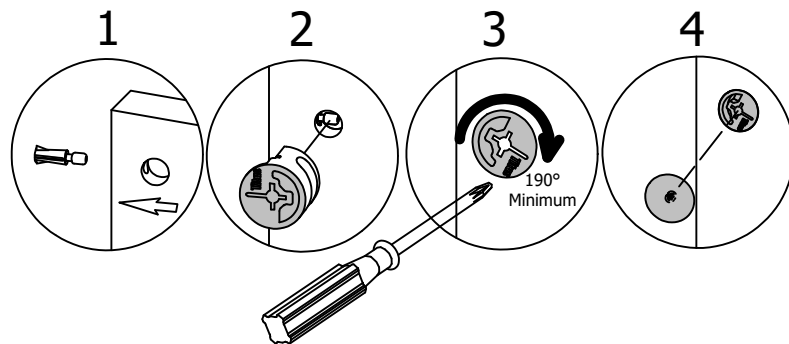
H181468US



[9]

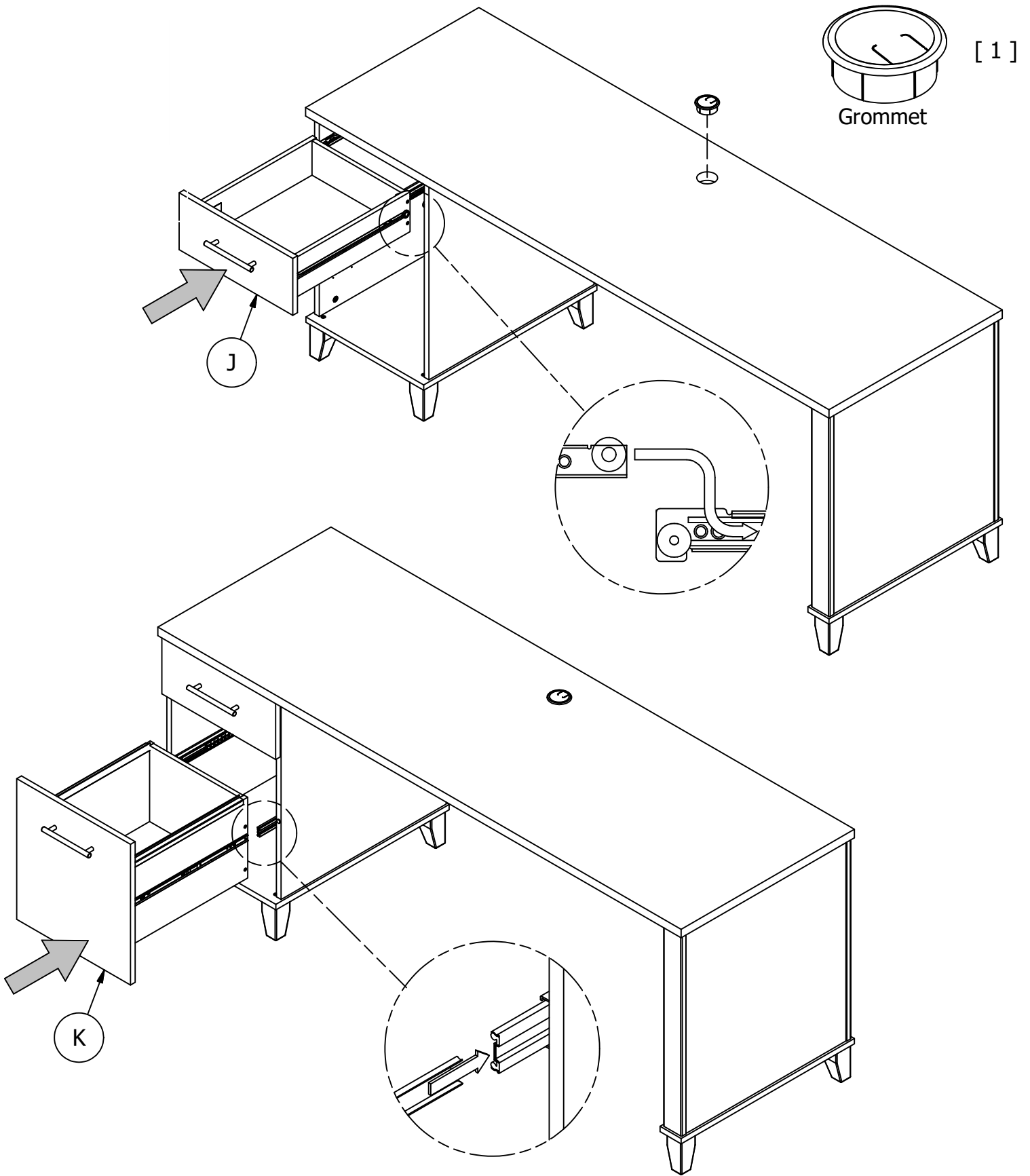


[5]



STEP 36

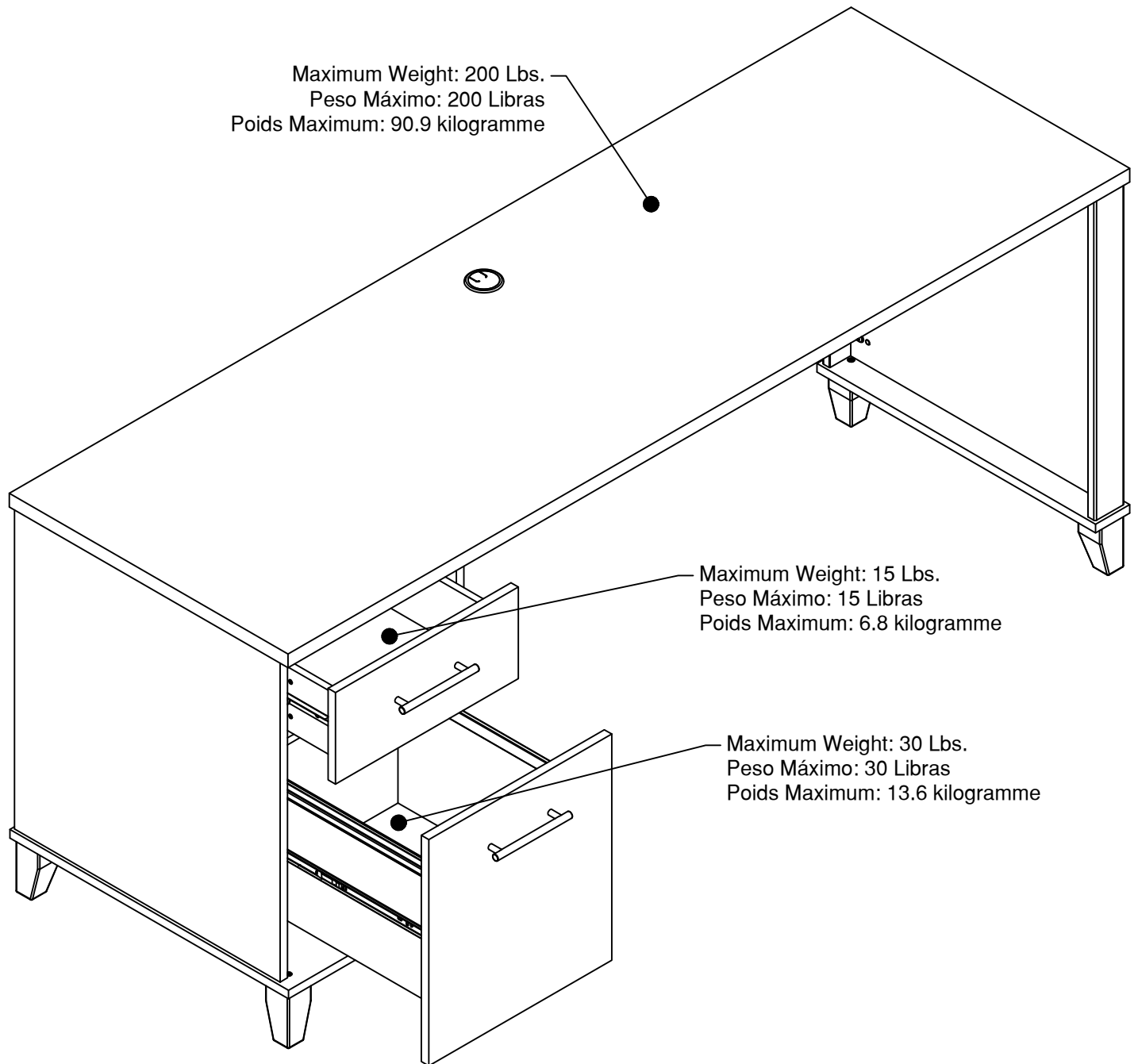
Insert Drawers



STEP 37

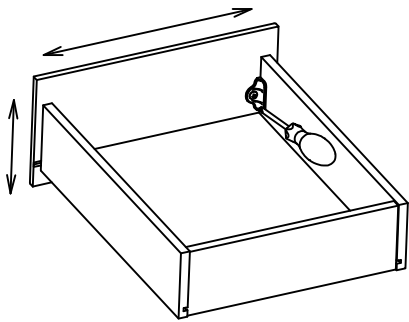
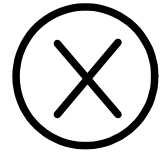
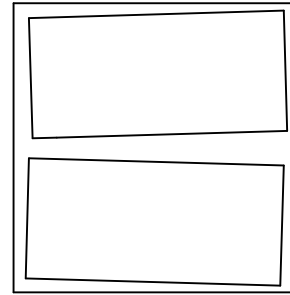
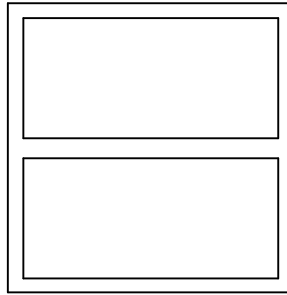
Maximum Loading and Cleaning

Gently clean surfaces with a damp sponge eraser.



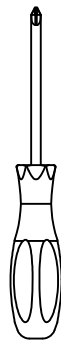
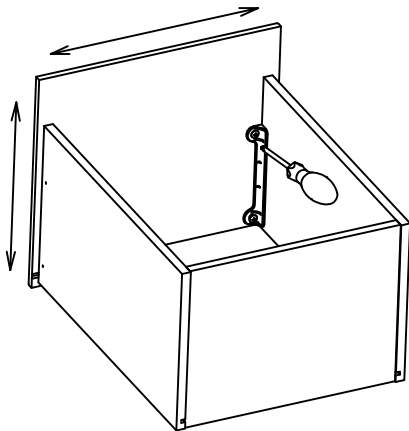
Congratulations! You are all done. If you have any questions or concerns, please call.

DRAWER FRONT VIEW



REQUIRED TOOL: PHILLIPS SCREWDRIVER

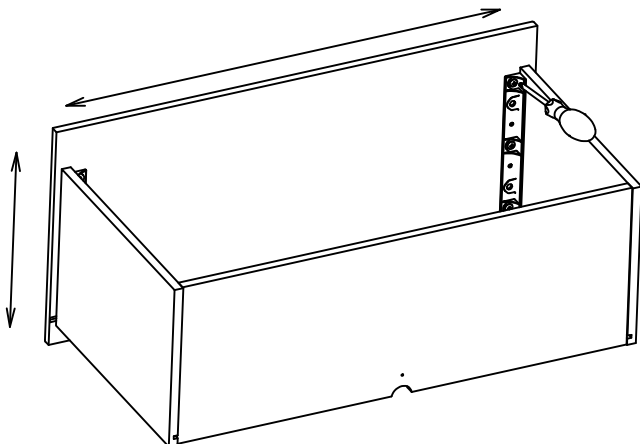
HERRAMIENTA REQUERIDA: DESTORNILLADOR PHILLIPS
 OUTIL REQUIS: TOURNEVIS CRUCIFORME



1. LOOSEN SCREWS.
2. ADJUST DRAWER FRONTS.
3. TIGHTEN SCREWS.

1. Afloje los tornillos
2. Ajustar frentes de cajón
3. Apriete los tornillos

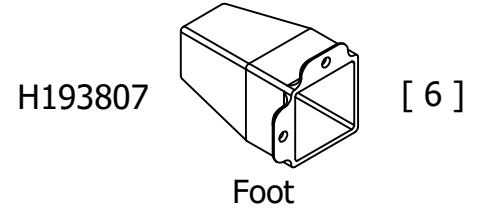
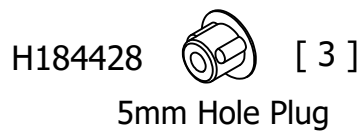
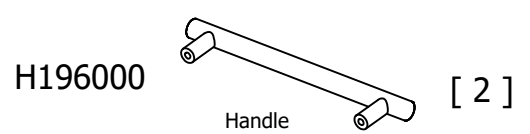
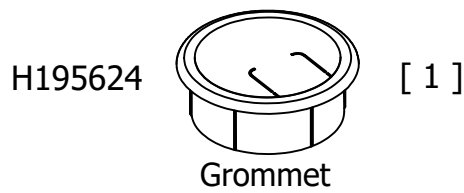
1. Desserrer les vis
2. Ajuster les façades des tiroirs
3. Serrer les vis



PARTS LIST

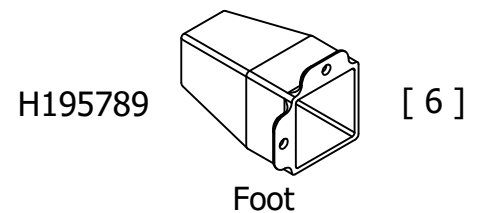
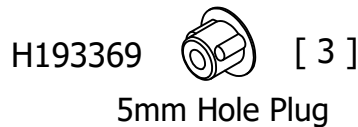
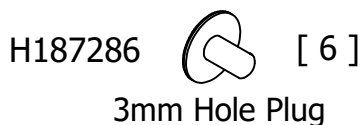
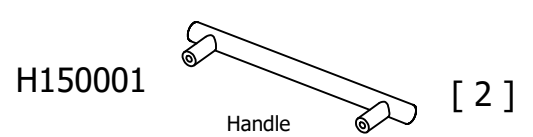
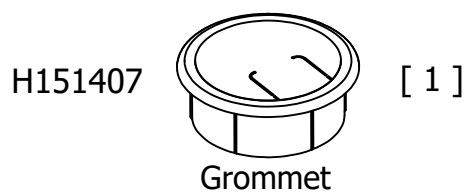
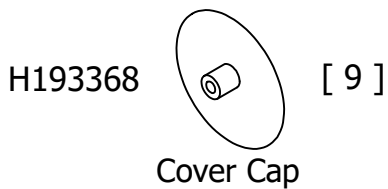
WC81072

A	W200556	[1]	J	W218511	[1]
B	W218970	[1]	K	W218512	[1]
C	W218971	[1]	S	W193878	[1]
D	W196080	[1]	T	W87410	[2]
E	W196119	[1]	U	W106489	[2]
F	W196105	[1]	V	W215261	[2]
G	W196120	[2]	W	W218468	[1]
H	W196121	[1]	X	W192433	[1]



WC81172

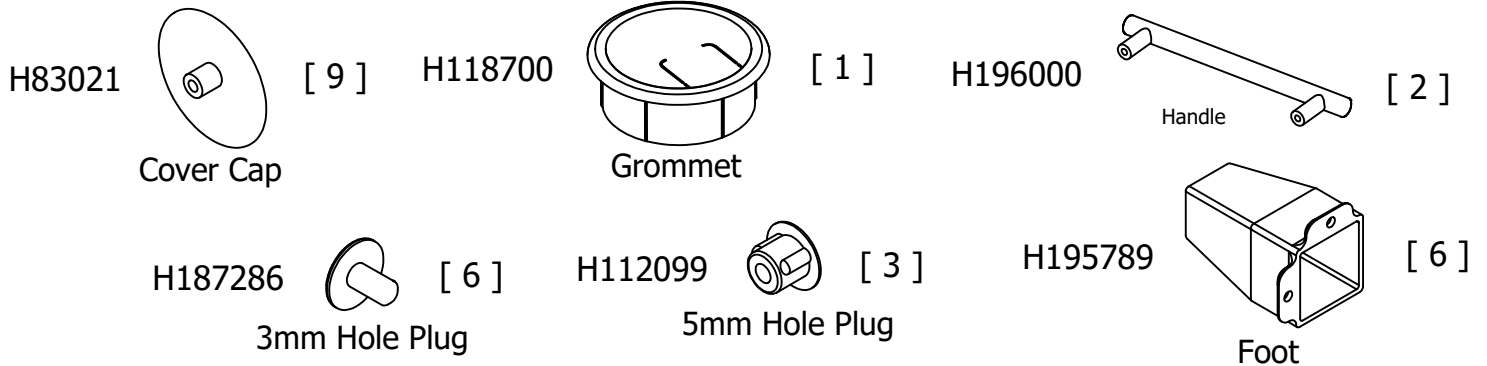
A	W200530	[1]	J	W218513	[1]
B	W218972	[1]	K	W218514	[1]
C	W218973	[1]	S	W200494	[1]
D	W200492	[1]	T	W87410	[2]
E	W200531	[1]	U	W106489	[2]
F	W200517	[1]	V	W215261	[2]
G	W200532	[2]	W	W218468	[1]
H	W200533	[1]	X	W192433	[1]



PARTS LIST

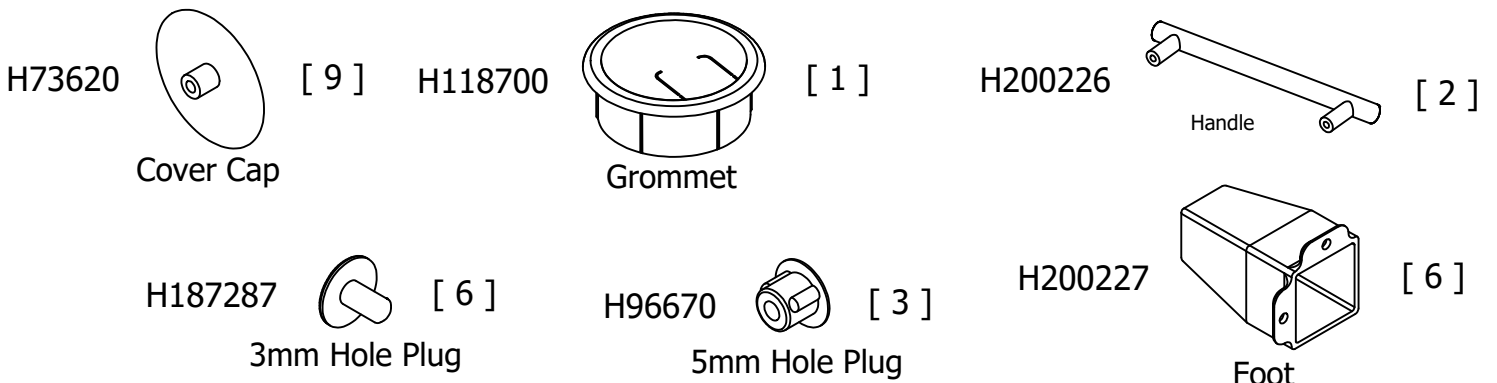
WC81272

A	W195911	[1]	J	W218515	[1]
B	W218974	[1]	K	W218516	[1]
C	W218975	[1]	S	W195875	[1]
D	W195873	[1]	T	W87410	[2]
E	W195912	[1]	U	W106489	[2]
F	W195898	[1]	V	W215261	[2]
G	W195913	[2]	W	W218468	[1]
H	W195914	[1]	X	W192433	[1]



WC81372

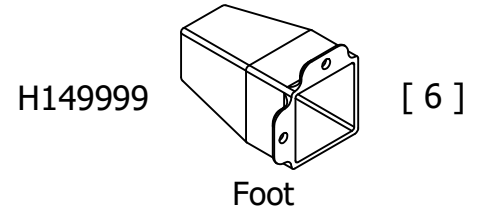
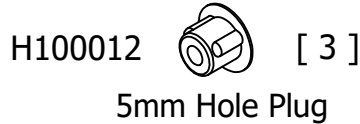
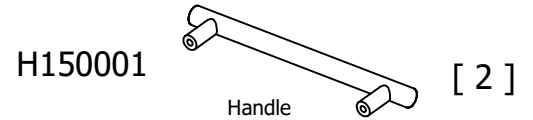
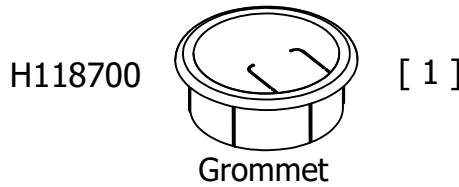
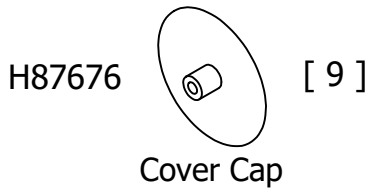
A	W200436	[1]	J	W218517	[1]
B	W218976	[1]	K	W218518	[1]
C	W218977	[1]	S	W200400	[1]
D	W200398	[1]	T	W87410	[2]
E	W200437	[1]	U	W106489	[2]
F	W200423	[1]	V	W215261	[2]
G	W200438	[2]	W	W218468	[1]
H	W200439	[1]	X	W192433	[1]



PARTS LIST

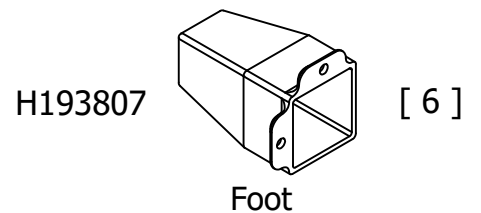
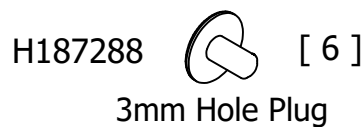
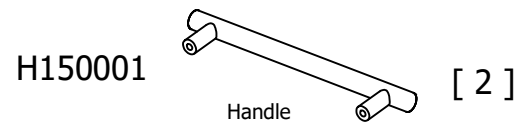
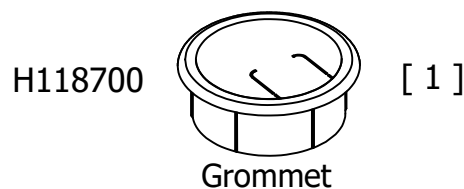
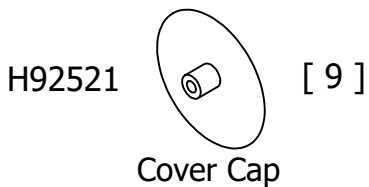
WC81472

A	W189224	[1]	J	W218519	[1]
B	W218978	[1]	K	W218520	[1]
C	W218979	[1]	S	W187457	[1]
D	W187455	[1]	T	W87410	[2]
E	W189225	[1]	U	W106489	[2]
F	W189444	[1]	V	W215261	[2]
G	W189227	[2]	W	W218468	[1]
H	W189228	[1]	X	W192433	[1]



WC81572

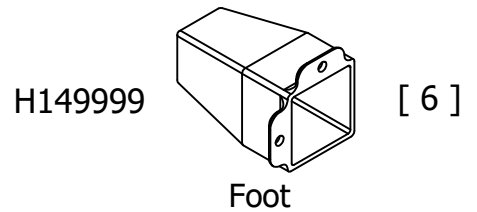
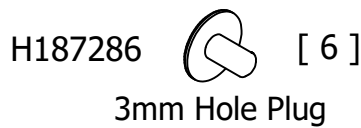
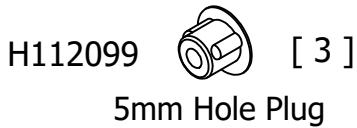
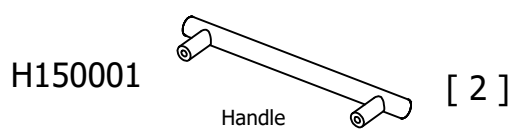
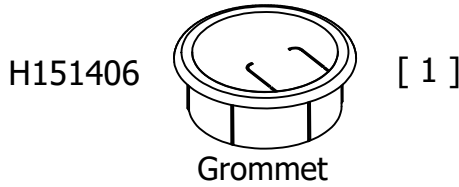
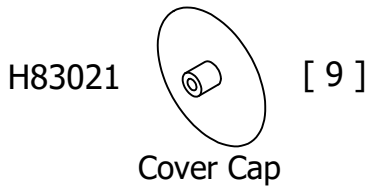
A	W193879	[1]	J	W218511	[1]
B	W218980	[1]	K	W218512	[1]
C	W218981	[1]	S	W193878	[1]
D	W193876	[1]	T	W87410	[2]
E	W193880	[1]	U	W106489	[2]
F	W193883	[1]	V	W215261	[2]
G	W193881	[2]	W	W218468	[1]
H	W193882	[1]	X	W192433	[1]



PARTS LIST

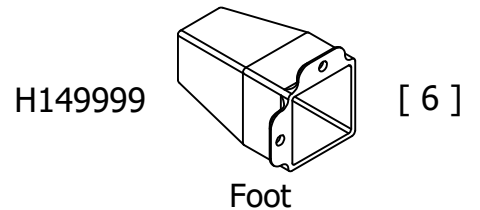
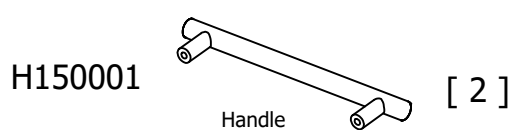
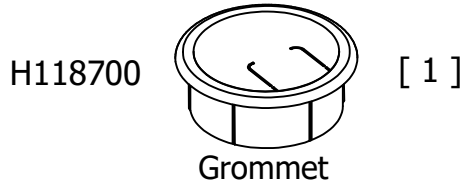
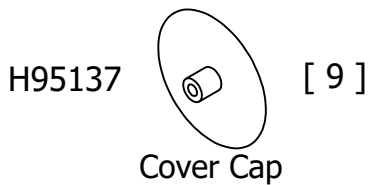
WC81672

A	W189229	[1]	J	W218523	[1]
B	W218382	[1]	K	W218524	[1]
C	W218983	[1]	S	W187470	[1]
D	W186384	[1]	T	W87410	[2]
E	W189230	[1]	U	W106489	[2]
F	W189269	[1]	V	W215261	[2]
G	W189232	[2]	W	W218468	[1]
H	W189233	[1]	X	W192433	[1]



WC81772

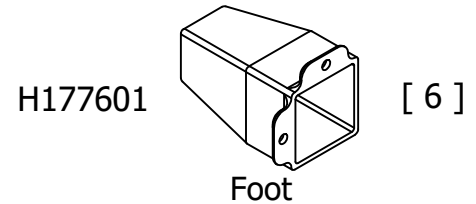
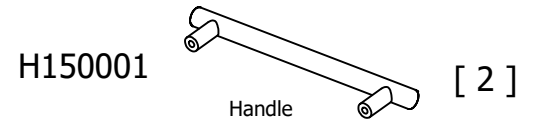
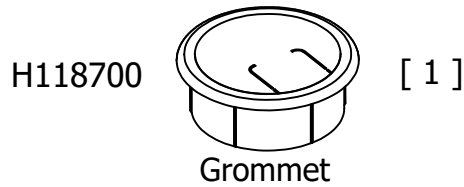
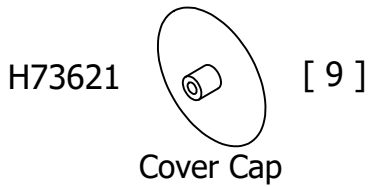
A	W189234	[1]	J	W218525	[1]
B	W218984	[1]	K	W218526	[1]
C	W218985	[1]	S	W187463	[1]
D	W187461	[1]	T	W87410	[2]
E	W189235	[1]	U	W106489	[2]
F	W189432	[1]	V	W215261	[2]
G	W189237	[2]	W	W218468	[1]
H	W189238	[1]	X	W192433	[1]



PARTS LIST

WC81872

A	W189239	[1]	J	W218527	[1]
B	W218986	[1]	K	W218528	[1]
C	W218987	[1]	S	W187469	[1]
D	W187467	[1]	T	W87410	[2]
E	W189240	[1]	U	W106489	[2]
F	W189421	[1]	V	W215261	[2]
G	W189242	[2]	W	W218468	[1]
H	W189243	[1]	X	W192433	[1]



WC81972

A	W196118	[1]	J	W218529	[1]
B	W218970	[1]	K	W218530	[1]
C	W218971	[1]	S	W196082	[1]
D	W196080	[1]	T	W87410	[2]
E	W196119	[1]	U	W106489	[2]
F	W196105	[1]	V	W215261	[2]
G	W196120	[2]	W	W218468	[1]
H	W196121	[1]	X	W192433	[1]

