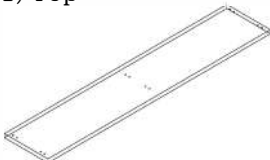

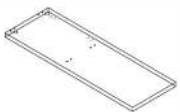

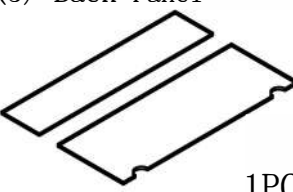






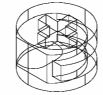



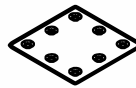
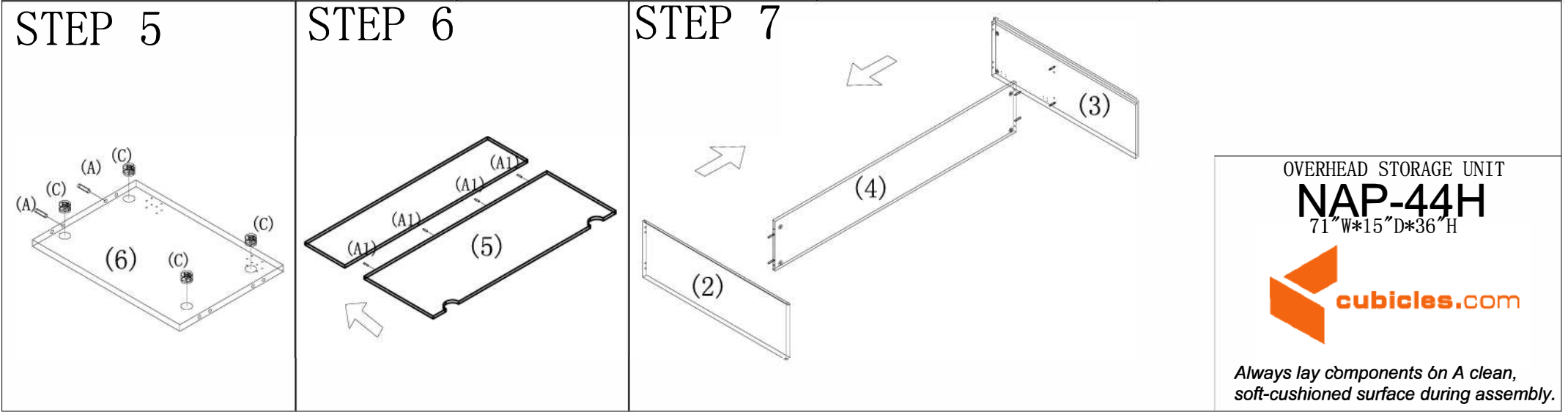
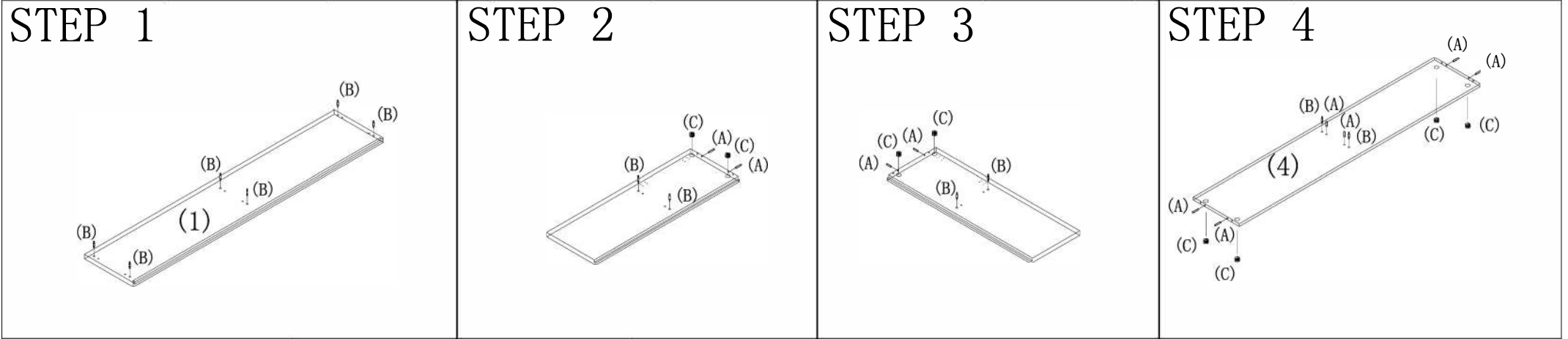
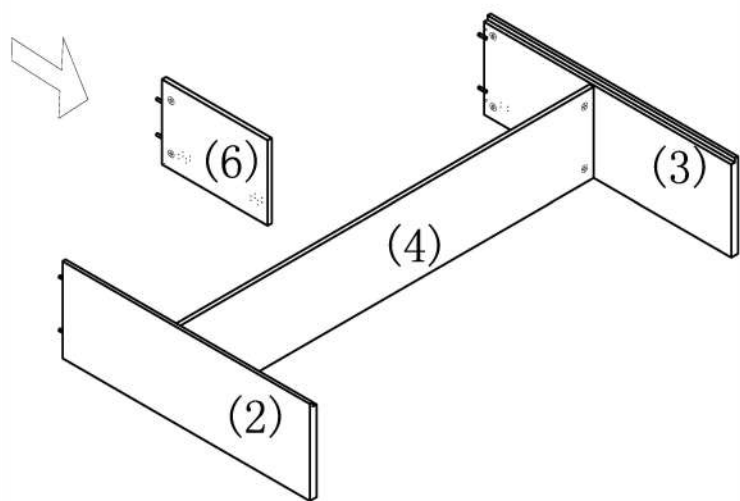


(1) Top  1PCS	(2) End Panel  1PCS	(3) End Panel  1PCS	(4) Shelf  1PCS	(5) Back Panel  1PCS	(6) Center Support  1PCS	(M) Cushion  4PCS	(M1) Cushion  4PCS
--	--	--	--	--	---	--	---

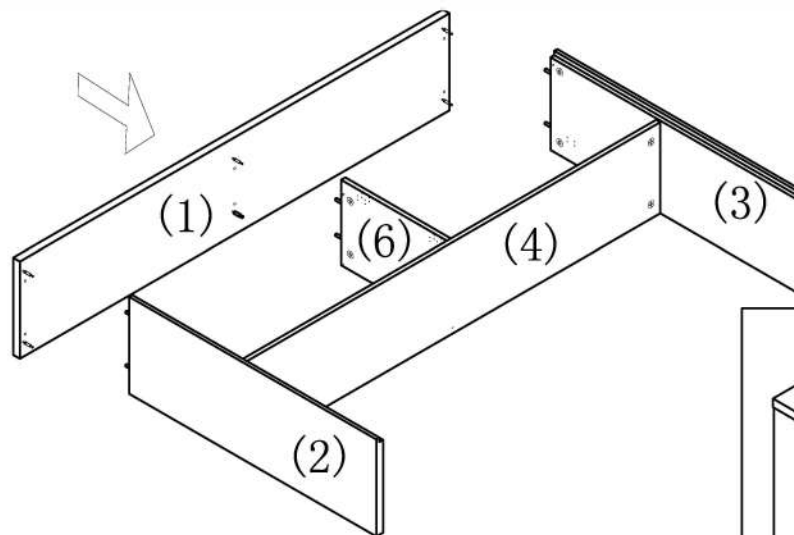
(A) Dowel  12PCS+1	(A1) Dowel  4PCS	(B) Cam Pin  12PCS+1	(C) Cam Lock  12PCS+1	(p) Cam Cover  12PCS+1	(E3) Wood Screw  20PCS+2	(E4) Wood Screw  12PCS+1	(R) Flat Bracket  2PCS
---	---	---	--	--	---	---	---



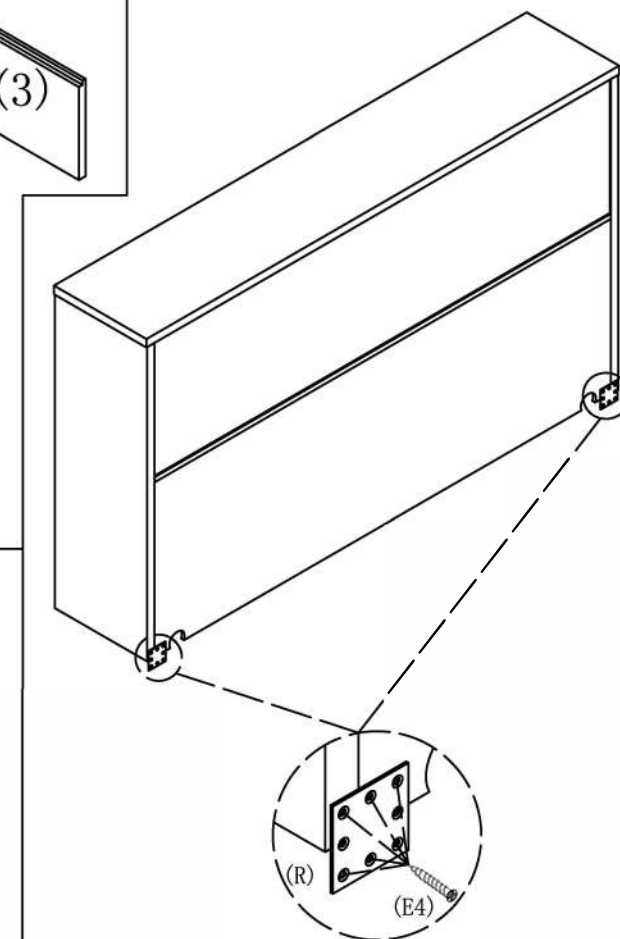
# STEP 8



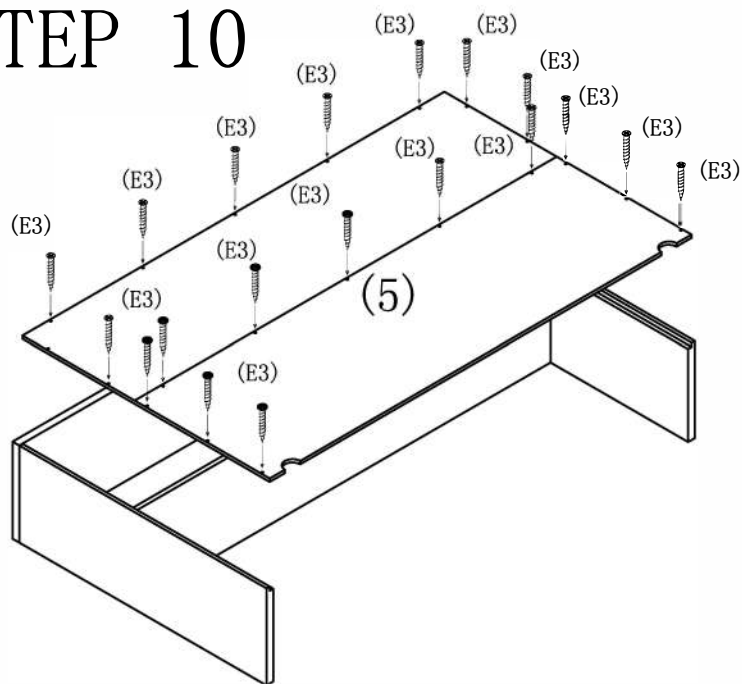
# STEP 9



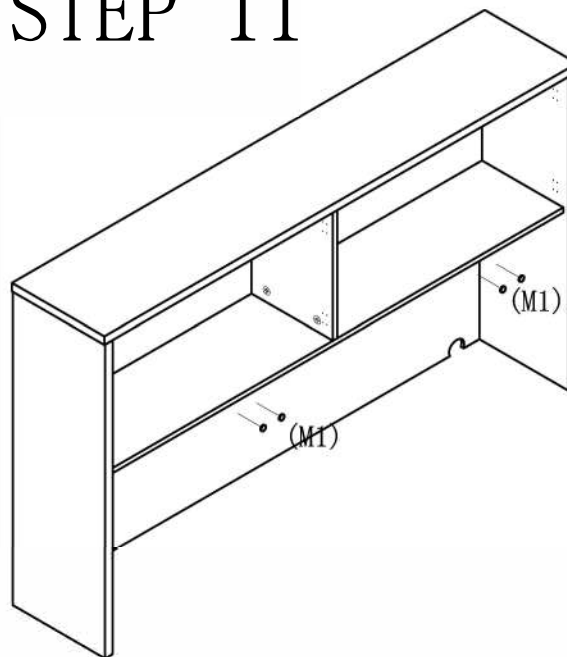
# STEP 12



# STEP 10



# STEP 11



OVERHEAD STORAGE UNIT  
**NAP-44H**  
71"W\*15"D\*36"H



*Always lay components on a clean, soft-cushioned surface during assembly.*